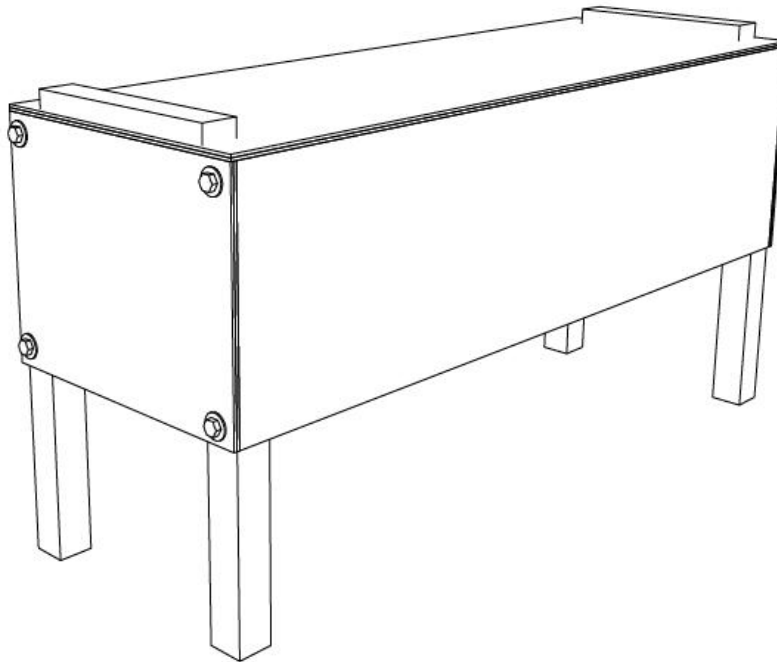


Instruction Manual

Bed Frame Accessory

Model BXSHLF-1



Read all instructions before assembly and use.
Keep instructions for future use.



ADULT ASSEMBLY REQUIRED

Due to the presence of small parts during assembly, keep out of reach of children until assembly is complete.



1900 Alfa Drive
Lancaster, PA 17601
(717) 269-8934
tradecraftspecialties@gmail.com
www.tradecraftspecialties.com

Use and Warnings

Your child's safety is our top priority. Please observe the following safety warnings to ensure the safe use of this product:

- **STRANGULATION HAZARD** - Never attach or hang items to any part of this product that are not designed for use with the product; for example, but not limited to, hooks, belts and jump ropes.
- Do not allow jumping or horseplay around or near this product.
- Do not use product if any parts are missing or damaged.
- Do not use substitute parts. Contact manufacturer should replacement parts be necessary.
- Before assembly and use, inspect product for damaged hardware, loose joints, missing pieces or sharp edges.
- Warning: hardware included with this product may have sharp points or edges. Assembly by an adult is required. Keep all loose hardware out of reach of children.
- Warning: small parts are a choking hazard for children. Make sure that all hardware is properly and tightly installed to prevent access to loose parts by children. Properly discard excess hardware after assembly to prevent access of loose parts to children. Properly discard all packing materials.

General Specifications

Assembled dimensions (approximate): 12.25" long, 51" (on full) or 36" (on twin) wide, 18" high.

Important Information

Each one of our products is handmade, hand painted, and hand packaged. Minor imperfections may occur that are not manufacturing defects, but rather a result of the handcrafting process that makes our products unique and special.

Care and Maintenance

- Check all fasteners periodically for tightness.
- Clean solid surfaces using a slightly damp cloth if necessary. Do not use any corrosive cleaning products or abrasives that may degrade or damage the surface. Furniture polish may be used to clean dust off solid surfaces.
- We recommend that any cleaning materials first be tested on a surface that would not be visible during the course of normal use.
- Use of a vaporizer close to this product may cause the surface to swell and the surface to peel.

Disassembly

To disassemble, reverse order of steps for assembly.

Assembly Notes

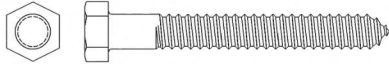

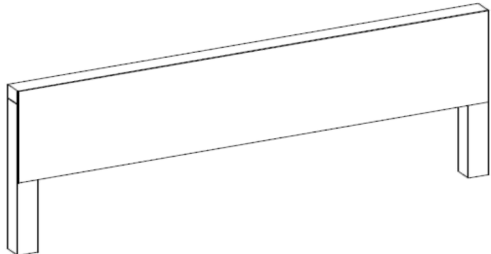
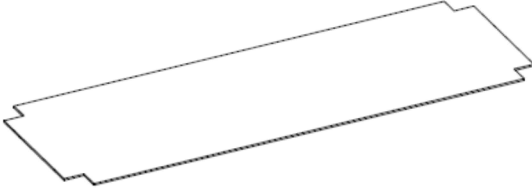

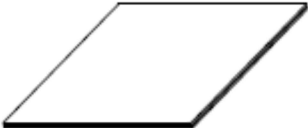
Hardware notes: do not fully tighten any fasteners until all hardware is in place. Failure to follow these instructions may cause fasteners to misalign during assembly. If using power tools to aid in assembly, use caution. Power tools may over-tighten fasteners and split or damage the material.

Tools required (not included):

Phillips head screw driver

7/16" wrench or adjustable wrench

Parts List

Part #:	Quantity:	Description:	Reference image only (not to scale):
[A]	(4)	¼" Lag screw (long)	
[B]	(4)	¼" Metal flat washer	
[C]	(2)	Front and rear panel	
[D]	(1)	Bottom	
[E]	(1)	Lid	
[F]	(2)	Side panel	

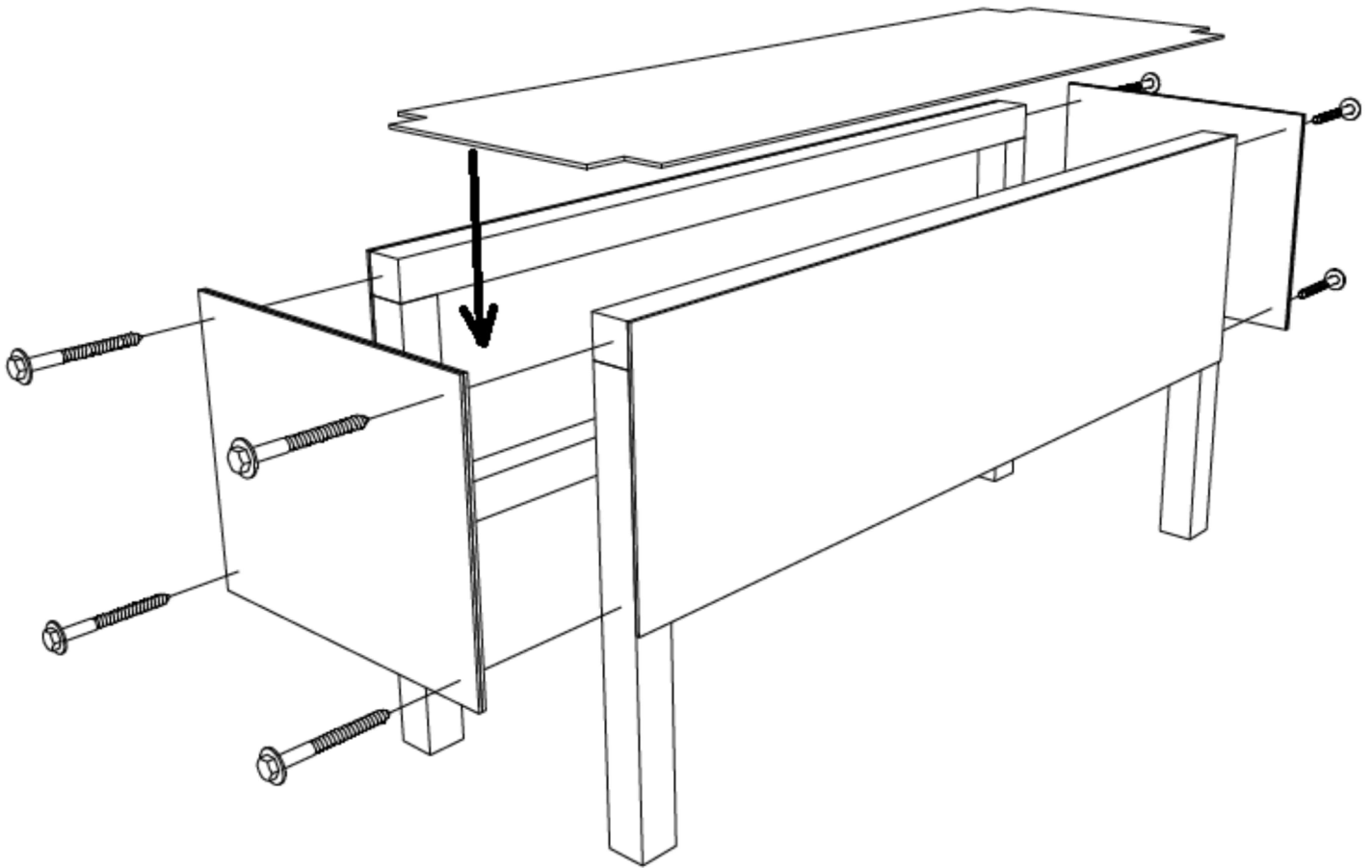
Assembly Steps

Step 1: Ensure there is enough room to lay out all parts. Carefully unpack all parts and hardware and check that everything is present and undamaged. It is helpful to have more than one person available for assembly.

Step 2:

--Fasten ends [F] to front and rear panel [C] with lag screws [A] using (1) washer [B] on each lag screw. DO NOT FULLY TIGHTEN FASTENERS AT THIS TIME. Positions of panels may be numbered if pre-assembly was performed. If numbers exist, match numbers on end panels to numbers on front/rear panels during assembly.

--While assembly is loosely held together, place bottom [D] between front and rear panels. Do not force the bottom into place. If necessary, loosen or fasteners to position bottom. If bottom panel is forced into place it could be damaged.



----- Tighten all hardware. Make sure all assembled parts are tight and secure.-----

Step 3: Place lid [E] on box. Lid is constructed identically top and bottom, so either side may be up.

