

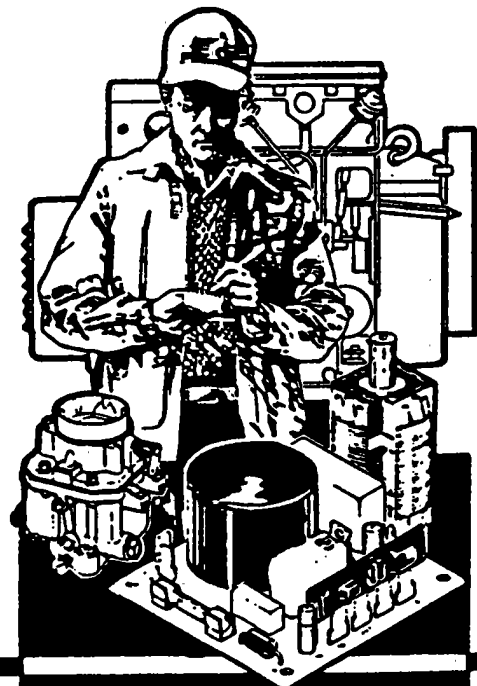
The following catalog has gaps in its page numbers, or doesn't have any numbers. We have chosen to leave the page numbering in the order that Acrobat assigns it.

Onan

Parts Manual

LK

GenSet



Onan Service Parts

930-0221
2-89 (Spec A-N)
Replaces 4-82 (SPEC A-N)
Printed in U.S.A.

Index

- Ammeter 24
- Base, Oil 3
- Block, Cylinder 4
- Box, Breaker - Ignition 18
- Box, Control 24
- Box, Junction 24
- Bracket, Mounted Fuel Tank 10
- Bracket, Timing 18
- Breaker, Circuit 24

- Cable, Battery 24
- Cable, Spark Plug 18
- Camshaft 6
- Cap, Fuel Tank 10
- Cap, Rain - Fuel Tank 10
- Carburetor 10
- Carburetor Components - Spec A-D 14
- Carburetor Components - Begin Spec E 16
- Choke, Electric 10
- Cleaner, Air 10
- Coil, Ignition 18
- Coil, Magneto 18
- Condenser, Control 24
- Condenser - Ignition 18
- Control 24
- Cover, Canvas 27
- Cover, Fuel Pump Hole 12
- Cover, Valve 4
- Crankshaft 6
- Cup, Governor 6
- Cup, Oil Bath 10
- Cup, Oil Intake 3

- Dipper, Oil - Splash Lube 6
- Dolly - Two Wheel - Generator Set 29

- Element, Air Cleaner 10
- Element, Valve Compartment 4
- Element, Vernatherm 20

- Filter, Fuel 10
- Flywheel 6

- Gear, Camshaft 6
- Gear, Crankshaft 6
- Gearcase 9
- Generator 22

- Hardware, Mounting 9
- Head, Cylinder 4
- Heater, Generator 22
- Heater, Oil Base 30
- Hose, Breather 10
- Hose - Gas Regulator to Carburetor 30
- Housing, Air 20
- Housing, Blower 20
- Housing - Generator Set 27

- Ignition 18
- Indicator, Oil Fill 4

- Kit, Carrying Frame - Generator Set 29
- Kit, Decal 27
- Kit, Gas Conversion 30
- Kit, Gasket - Carburetor - Spec A-D 14
- Kit, Gasket - Engine 27

- Kit, Repair - Carburetor - Spec A-D 14
- Kit, Repair - Carburetor - Begin Spec E 16
- Kit, Repair - Fuel Pump 13
- Kit, Repair - Gas Regulator 30
- Kit, Starter - Readi-Pull 26
- Kit, Tune-Up - Ignition 18

- Line, Fuel - Day Tank 30
- Line, Fuel - Filter to Carburetor 10
- Line, Fuel - Pump to Carburetor 10
- Line, Fuel - Pump to Carburetor - Gas-Gasoline Carburetor 30
- Line, Fuel - Tank to Carburetor 10
- Linkage, Governor 20

- Magneto 18
- Muffler, Exhaust 10

- Paint, Touch Up 27
- Piston 6
- Plate, Bearing 4
- Plug, Spark 18
- Point Set, Ignition 18
- Pump Components, Fuel 13
- Pump, Fuel 10
- Pump, Oil 3

- Receptacle, Duplex 24
- Regulator, Gas Pressure 30
- Regulator, Voltage 24
- Relay - Control 24
- Resistor - Control 24
- Rod, Connecting 6
- Rope, Starting - Flywheel 6
- Rope, Starting - Readi-Pull Starter 26

- Screen, Fuel Filter 10
- Scroll, Vacu-Flo 20
- Sheave, Rope 6
- Shield, Spark Plug 18
- Shutter, Air Discharge 20
- Solenoid, Start 24
- Stator, Magneto 18
- Strap, Tank - Mounted Tank 10
- Switch, High Temperature - Cylinder Head 4
- Switch, High Temperature - Scroll 20
- Switch, Oil Pressure 3
- Switch, Start/Stop (Toggle) 24
- Switch, Stdp (Button) 18

- Tank, Day 30
- Tank, Fuel 10
- Thermostat, Oil Base Heater 30
- Tube, Exhaust - Flexible 10
- Tube, Oil Fill 4

- Valve, Breather 4
- Valve, Fuel Solenoid 24
- Valve, Safety - Fuel - Electric 10
- Valve, Shutoff - Day Tank 30

- Wheel, Blower 20

Introduction

This parts manual applies to the standard LK Generator Sets as listed below. Parts are arranged in groups of related items and each illustrated part is identified by a reference number corresponding to the same reference number in the parts list. Parts illustrations are typical. Using the model and Specification Number from your generator set nameplate, select the Parts Key Number (1, 2, etc. in the last column) that applies to your set. This Parts Key Number represents parts that differ between models. Unless otherwise mentioned in the description or page heading, parts are interchangeable between models. Right and left sides are determined by facing the engine end (front) of the set.

Generator Set Data Table

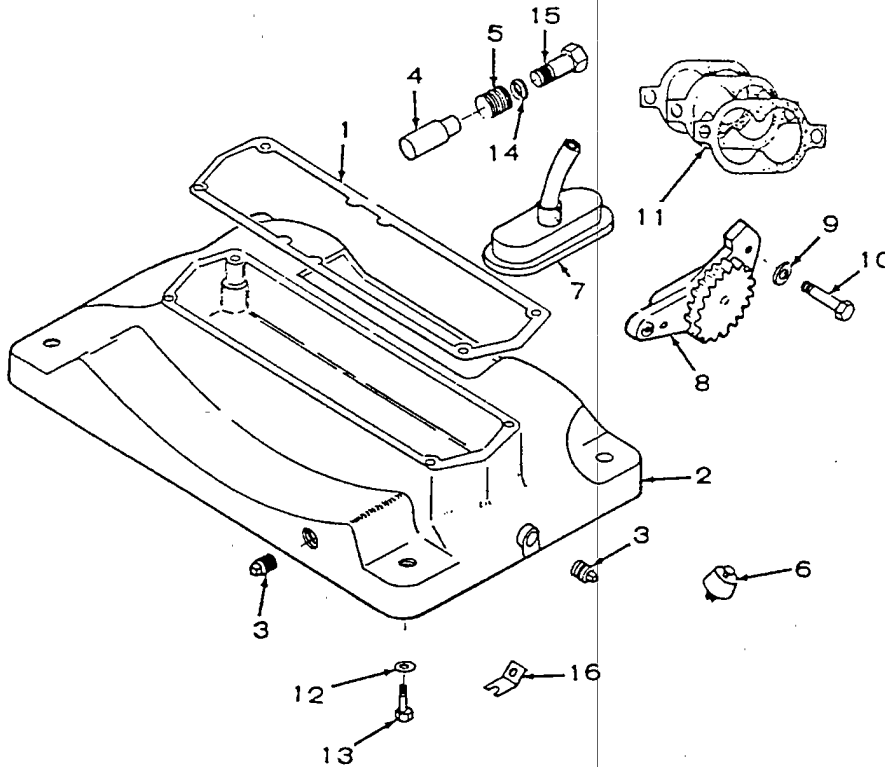
MODEL AND SPEC. NO.#	TYPE OF STARTING	ELECTRICAL OUTPUT				PARTS KEY NO.
		WATTS	VOLTS**	HERTZ	RPM	
2.0LK-1M/*	Manual	2,000	120	60	1800	1
2.5LK-1M/*	Manual	2,500	120	60	1800	1
1.5LK-51M/*	Manual	1,500	120	60	1500	1
1.7LK-51M/*	Manual	1,700	120	50	1500	1
2.0LK-2M/*	Manual	2,000	240	60	1800	2
2.5LK-2M/*	Manual	2,500	240	60	1800	2
1.5LK-52M/*	Manual	1,500	240	50	1500	2
1.7LK-52M/*	Manual	1,700	240	50	1500	2
2.0LK-3M/*	Manual	2,000	120/240	60	1800	3
2.5LK-3M/*	Manual	2,500	120/240	60	1800	3
1.5LK-53M/*	Manual	1,500	120/240	50	1500	3
1.7LK-53M/*	Manual	1,700	120/240	50	1500	3
2.0LK-1R/*	Remote	2,000	120	60	1800	5
2.5LK-1R/*	Remote	2,500	120	60	1800	5
1.5LK-51R/*	Remote	1,500	120	50	1500	5
1.7LK-51R/*	Remote	1,700	120	50	1500	5
2.0LK-2R/*	Remote	2,000	240	60	1800	6
2.5LK-2R/*	Remote	2,500	240	60	1800	6
1.5LK-52R/*	Remote	1,500	240	50	1500	6
1.7LK-52R/*	Remote	1,700	240	50	1500	6
2.0LK-3R/*	Remote	2,000	120/240	60	1800	7
2.5LK-3R/*	Remote	2,500	120/240	60	1800	7
1.5LK-53R/*	Remote	1,500	120/240	50	1500	7
1.7LK-53R/*	Remote	1,700	120/240	50	1500	7

* - Specification letter advances with manufacturing changes (A to B, B to C, etc.)

** - Reference to 120, 240, and 120/240 volt also applies to 115, 230, and 115/230 volt.

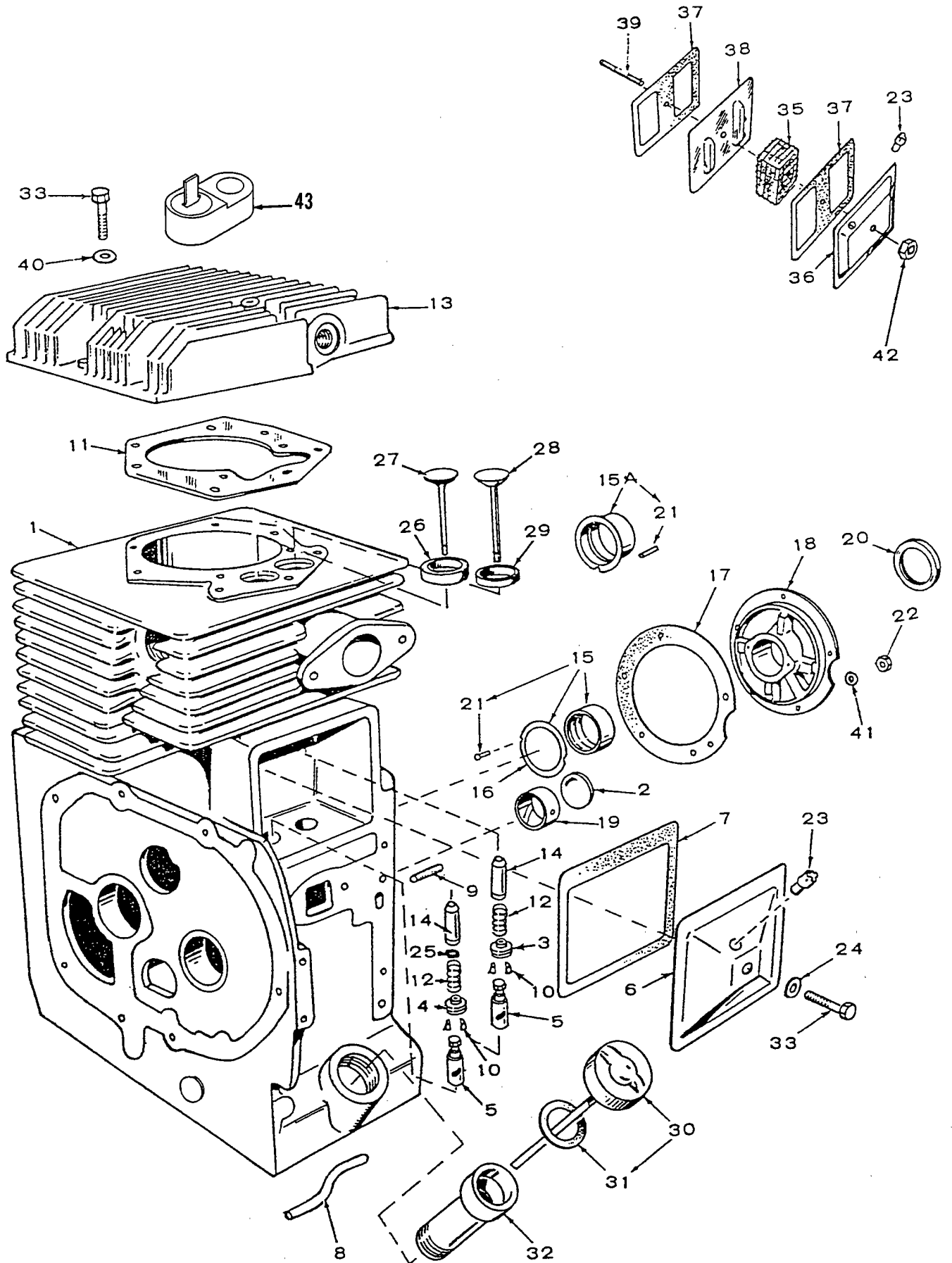
- New model designations shown began during 1969. Previous designations did not use a decimal in the KW rating. EXAMPLE: 2.0LK was formerly 2LK and 2.5LK was formerly 205LK. Also previously a V was used in the model to designate Vacu-Flo cooling.

Oil System



REF NO.	PART NO.	QTY USED	PART DESCRIPTION	REF NO.	PART NO.	QTY USED	PART DESCRIPTION
1	102-0107	1	Gasket, Oil Base Mounting	10	800-0007	2	Screw, Cap - Hex Head (1/4-20 x 1") Pressure Lube Units - Begin Spec N
2	102-0100	1	Sets Without Oil Base Heater	11	120-0161	1	Kit, Gasket - Oil Pump - Pressure Lube Units - Begin Spec N
	102-0362	1	Sets With Oil Base Heater - Optional	12	850-0050	4	Washer, Lock - Spring (3/8")
3	505-0110	2	Plug, Oil Drain (3/8")	13	800-0056	4	Screw, Cap - Hex Head (3/8-16 x 2-1/2")
4	120-0398	1	Plunger, Oil Bypass - Pressure Lube Units - Begin Spec N	14	526-0066	1	Washer, Flat - Oil Bypass - (25/64 ID x 9/16 OD x 1/16" THK) Pressure Lube Units - Begin Spec N
5	120-0140	1	Spring, Oil Bypass - Pressure Lube Units - Begin Spec N	15	801-0050	1	Screw, Cap - Hex Head (3/8-24 x 1") Oil Bypass - Pressure Lube Units - Begin Spec N
6	309-0237	1	Switch, Lopko - Pressure Lube Units - Begin Spec N	16	167-0188	1	Support, Lopko Lead - Pressure Lube Units - Begin Spec N
7	120-0666	1	Cup, Oil Intake (Includes Cup, Pipe and Screen) - Pressure Lube Units - Begin Spec N				
8	120-0651	1	Pump Assembly, Oil - Pressure Lube Units - Begin Spec N				
9	850-0040	2	Washer, Lock - Spring (1/4") - Pressure Lube Units - Begin Spec N				

Cylinder Block

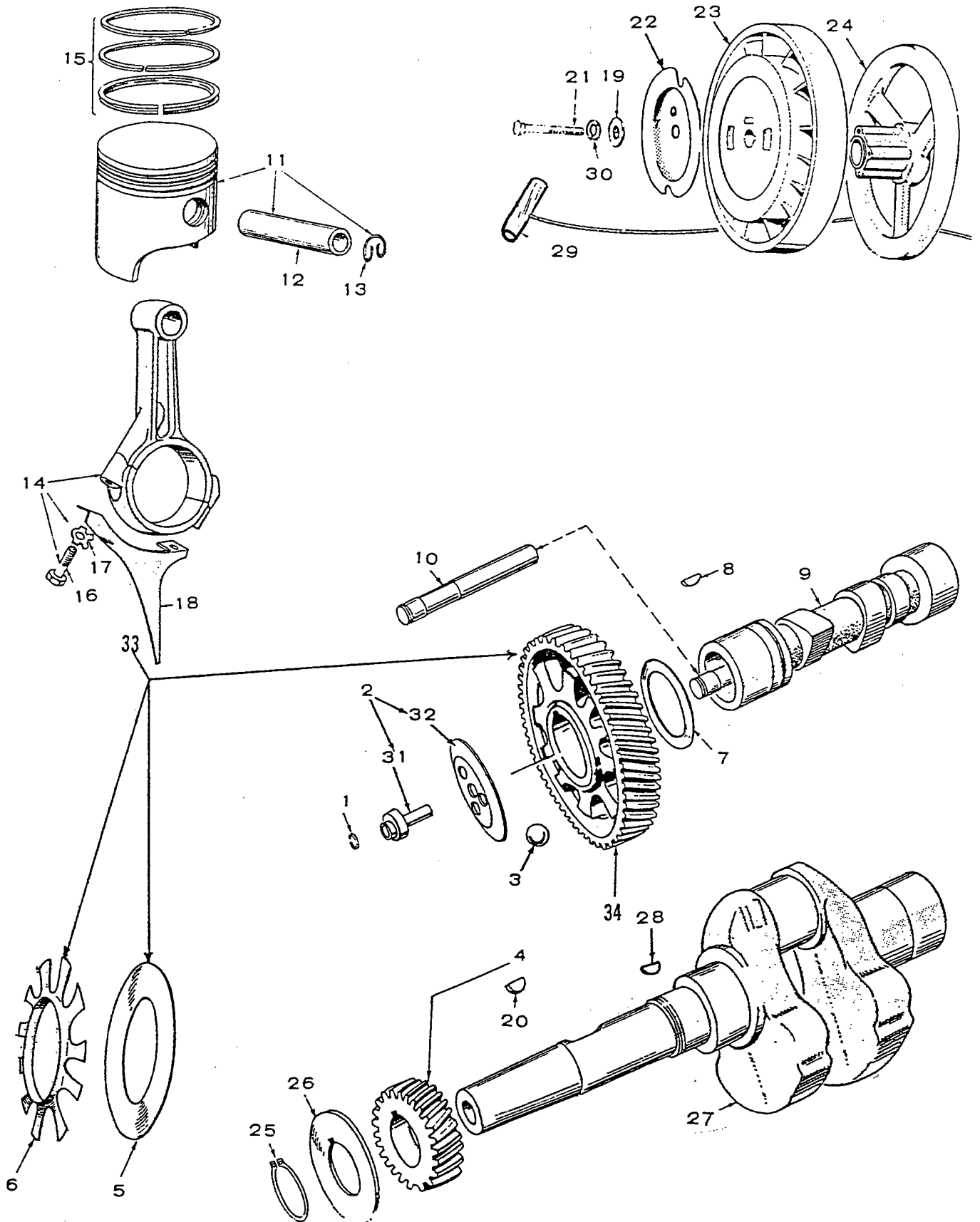


Cylinder Block

REF NO.	PART NO.	QTY USED	PART DESCRIPTION	REF NO.	PART NO.	QTY USED	PART DESCRIPTION
1			Block Assembly, Cylinder (Includes Parts Marked *)	21	516-0072	4	*Pin, Stop - Main Bearing (2 Only Spec A through C) - Also Pressure Lube Units Spec N
	110-1622	1	Splash Lube System - Spec A through M				
	110-3185	1	With Valve Stem Oil Seals - Pressure Lube System - Begin Spec N - Key 1,2,3	22	110-0445	5	*Nut, Stud - Bearing Plate (Special)
	110-3186	1	Without Valve Stem Oil Seals - Begin Spec N - Key 5,6,7	23	123-0486	1	Valve, Breather
2	517-0048	1	*Plug, Expansion - Camshaft	24	526-0063	1	Washer, Flat (Copper) - Valve Compartment Cover (17/64 ID x 7/16 OD x 1/32" THK)
3	110-0904	1	Rotocap, Valve - Exhaust	25	509-0090	1	*Seal, Oil - Intake Valve (Includes Retainer Rings) - Pressure Lube Units Only
4	110-0893	1	Retainer, Valve Spring - Intake	26			*Insert, Seat - Intake Valve (Pressure Lube Units Only)
5	115-0006	2	Tappet, Valve				
6	110-1595	1	*Cover, Compartment - Valve		110-1000	1	Standard
7	110-0667	1	Gasket, Valve Cover		110-1000-02	1	.002" Oversize
8	120-0415	1	*Line, Oil - Begin Spec N - Pressure Lube System		110-1000-05	1	.005" Oversize
9			*Stud, Mounting - Rear Bearing Plate		110-1000-10	1	.010" Oversize
	520-0114	4	5/16 x 1-5/16"	27	110-0881	1	Valve, Intake
	520-0532	1	5/16 x 1-3/16"	28	110-0880	1	Valve, Exhaust (Chrome Cobalt)
10	110-0639	4	Lock, Valve and Spring Retainer	29			*Insert, Seat - Exhaust Valve (Chrome Cobalt)
11	110-0892	1	Gasket, Head - Cylinder		110-0872	1	Standard
12	110-0539	2	Spring, Valve		110-0872-02	1	.002" Oversize
13			Head, Cylinder		110-0872-05	1	.005" Oversize
	110-0891	1	Standard Compression (Gasoline Fuel)		110-0872-10	1	.010" Oversize
	110-0883	1	Hi-Compression (Gaseous Fuel) - Optional		110-0872-25	1	.025" Oversize
14	110-0902	2	*Guide, Valve	30	123-0519	1	Indicator, Oil Fill
15A			*Bearing, Crankshaft - Spec A through C	31	123-0191	1	Gasket, Cap - Oil Fill
	101-0181	2	Standard	32	123-0517	1	Tube, Fill - Oil
	101-0181-10	2	.010" Undersize	33			Screw, Cap - Hex Head
	101-0181-20	2	.020" Undersize		114-0171	1	Cylinder Head - Special - High Air Temperature Switch Mounting
	101-0181-30	2	.030" Undersize		110-0879	4	Cylinder Head - Special
15			Bearing, Crankshaft - Begin Spec D		114-0022	5	Cylinder Head - Special
	101-0450	2	Standard		800-0014	1	Valve Compartment (1/4-20 x 2-3/4")
	101-0450-02	2	.002" Undersize	35	123-0996	1	Element, Compartment - Valve - Optional
	101-0450-10	2	.010" Undersize	36	110-1782	1	Cover, Compartment - Valve - Optional
	101-0450-20	2	.020" Undersize	37	110-1791	2	Gasket, Compartment - Valve - Optional
	101-0450-30	2	.030" Undersize	38	110-1783	1	Baffle, Compartment - Valve - Optional
16	104-0575	2	*Washer, Crankshaft - Bearing Thrust - Begin Spec D (Special)	39	520-0746	1	Stud, Cover - Valve Compartment - Optional
17	101-0115	1	*Kit, Gasket - Bearing Plate	40	526-0122	9	Washer, Flat (11/32" ID x 23/32" OD x 10 Ga. Thk)
18			*Plate, Bearing - Rear (Excludes Bearing)	41	850-0045	5	*Washer, Lock - Spring (5/16")
	101-0259	1	Spec A through C	42	862-0001	1	Nut, Hex - Valve Cover (1/4-20)
	101-0398	1	Begin Spec D through M	43	309-0255	1	Switch, High Air Temperature - Optional (S4)
	101-0396	1	Pressure Lube System - Begin Spec N				
19	101-0367	2	*Bearing, Camshaft Front and Rear (Precision)				
20	509-0041	1	Seal, Bearing Plate (Note: in Gasket Kit #168-0065)				

* Parts Included in Cylinder Block Assemblies.

Crankshaft, Camshaft, Flywheel and Piston



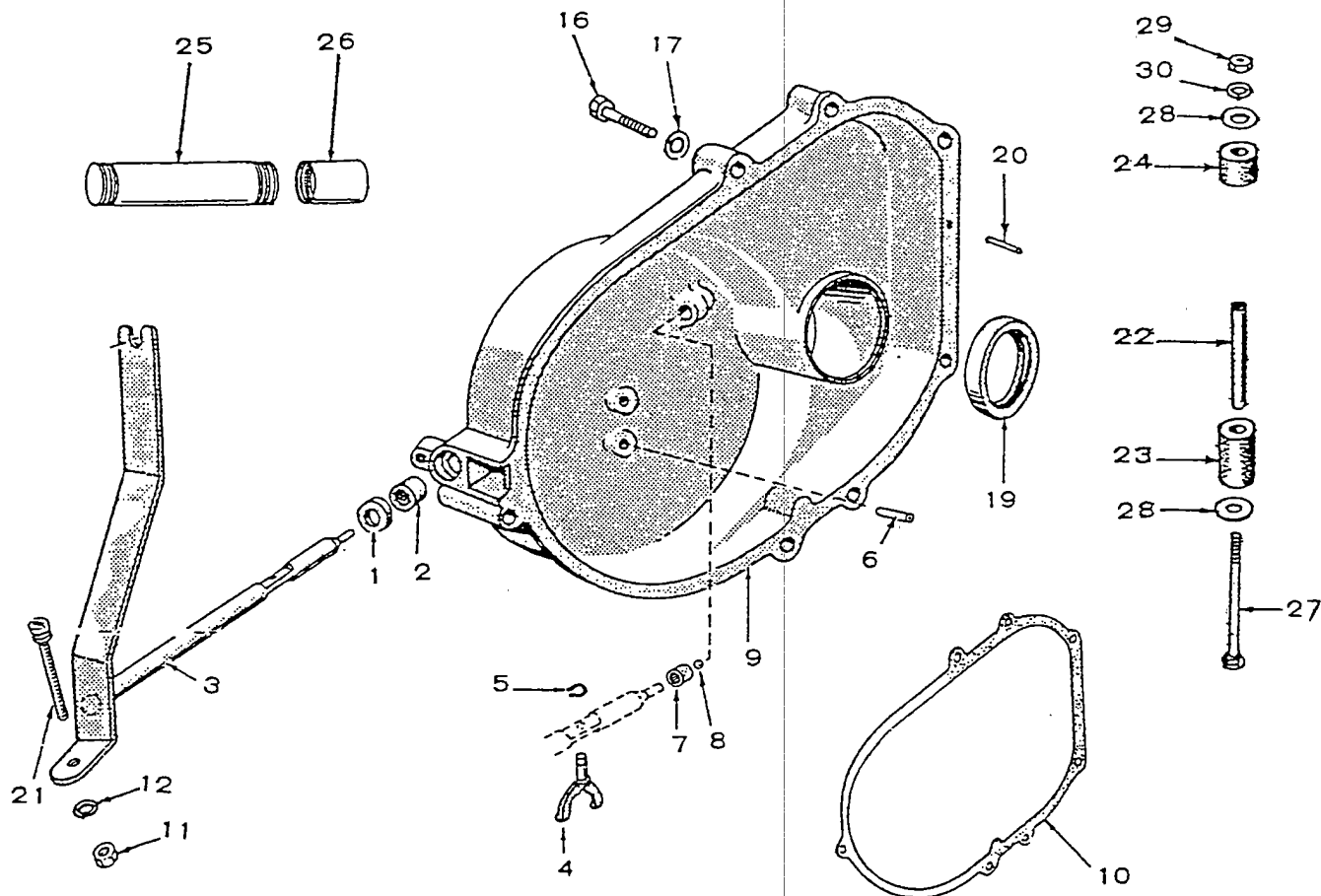
Crankshaft, Camshaft, Flywheel and Piston

REF NO.	PART NO.	QTY USED	PART DESCRIPTION	REF NO.	PART NO.	QTY USED	PART DESCRIPTION
1	150-0078	1	Ring, Pin - Camshaft Center	16	800-0540	2	Screw, Cap - Hex Head (Special)
2	150-1695	1	Cup, Governor Kit (Includes Parts Marked †)	17	114-0059	2	Washer, Lock - Connecting Rod
3	510-0015	10	Ball, Fly - Governor	18	114-0108	1	Dipper, Oil - Spec A through M - Splash Lube Systems
4	104-0032	1	Gear, Crankshaft	19	526-0017	1	Washer, Flat (15/32" ID x 1-1/4" OD x 1/4" Thk)
5	150-0077	1	*Plate, Governor Ball - Spec A Through D and Begin Serial #800755	20	515-0227	1	Key, Mounting - Wheel (Kit)
6			*Spacer, Governor Flyball Spec A Through D Begin Serial #800755	21	104-0170	1	Screw, Mounting - Wheel (Special)
	150-1257	1	Spec A Through D	22			Sheave, Rope - Starter
	150-1257	1	Begin Serial #800755		160-0222	1	Key 1,2,3, Spec A Only
7	105-0541	1	Washer, Thrust - Camshaft Gear		192-0308	1	Key 5,6,7, Spec A Only - Pressure Cooled
8	515-0001	1	Key, Mounting - Camshaft Gear		192-0308	1	All Pressure Cooled Sets - Begin Spec B
9			Camshaft (Includes Center Pin) Splash Lube Systems		192-0272	1	Vacu-Flo Cooled Sets - Key 5,6,7
	105-0141	1	Pressure Lube Systems	23			Flywheel - Pressure Cooled Sets
	105-0551	1	Pin, Center - Camshaft		160-0202	1	Includes Magnets Key 1,2,3, Spec A Only
10	150-0075	1	Piston and Pin (Includes Retainer Rings)		160-0650	1	Includes Magnets Key 1,2,3, Spec B Only
11			Standard		160-0975	1	Includes Magnets Key 1,2,3, Begin Spec C
	112-0136	1	.005" Oversize		134-0591	1	Key 5,6,7, Spec A and B
	112-0136-05	1	.010" Oversize		134-1649	1	Key 5,6,7, Begin Spec C
	112-0136-10	1	.020" Oversize	24			Flywheel - Vacu-Flo Cooled Sets
	112-0136-20	1	.030" Oversize		104-0691	1	Key 5,6,7, Spec A and B
	112-0136-30	1	.040" Oversize		104-0615	1	Key 5,6,7, Begin Spec C
12	112-0069	1	Pin, Piston	25	518-0014	1	Lock, Washer - Crankshaft Gear
13	112-0003	2	Ring, Retainer - Piston Pin	26	104-0043	1	Washer, Gear - Crankshaft Retainer (Special)
14			Rod, Connecting (Includes Lock Washers and Screws) Spec A through M - Splash Lube Systems	27			Crankshaft (Includes Keys) Splash Lube System
	114-0254	1	Standard		104-1342	1	Pressure Lube System
	114-0254-10	1	.010" Undersize	28	104-1298	1	Key, Crankshaft Gear
	114-0254-20	1	.020" Undersize	29	515-0001	1	Rope, Starting - Manual
	114-0254-30	1	.030" Undersize	30	192-0023	1	Washer, Lock - Spring (7/16")
			Begin Spec N - Pressure Lube Systems	31	850-0055	1	†Hub, Cup - Governor
	114-0098	1	Standard	32	150-1520	1	†Cup, Governor
	114-0098-10	1	.010" Undersize	33	105-0332	1	Gear Assembly, Camshaft (Includes Parts Marked *)
	114-0098-20	1	.020" Undersize	34	105-0030	1	*Gear, Camshaft
	114-0098-30	1	.030" Undersize				
15			Ring Set, Piston Spec A through M - Splash Lube Systems				
	113-0087	1	Standard				
	113-0087-05	1	.005" Oversize				
	113-0087-10	1	.010" Oversize				
	113-0087-20	1	.020" Oversize				
	113-0087-30	1	.030" Oversize				
	113-0087-40	1	.040" Oversize				
			Begin Spec N - Pressure Lube Systems				
	113-0176	1	Standard				
	113-0176-05	1	.005" Oversize				
	113-0176-10	1	.010" Oversize				
	113-0176-20	1	.020" Oversize				
	113-0176-30	1	.030" Oversize				
	113-0176-40	1	.040" Oversize				

† - Parts Included in 150-1695 Governor Cup Kit.

* - Parts Included in 105-0332 Camshaft Gear Assembly.

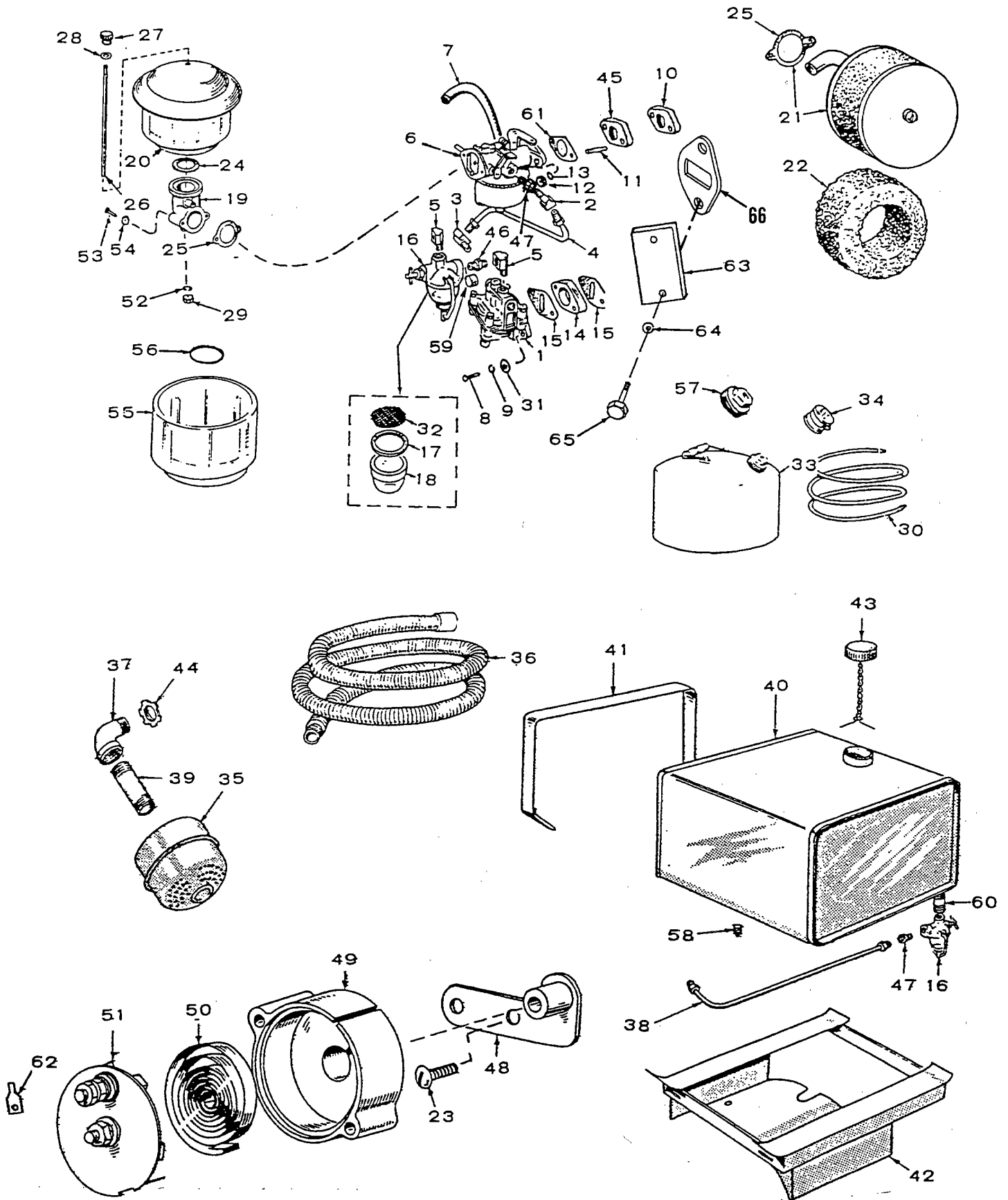
Gearcase and Mounting Hardware



REF NO.	PART NO.	QTY USED	PART DESCRIPTION	REF NO.	PART NO.	QTY USED	PART DESCRIPTION
	402-0149	4	Cushion Assembly, Mounting (Includes Parts Marked †)	17	850-0045	5	Washer, Lock - Spring (5/16")
1	509-0008	1	*Seal, Oil - Governor Shaft	19	509-0040	1	*Seal, Cover - Gear
2	510-0013	1	*Bearing, Shaft - Governor (Upper)	20	516-0141	2	Pin, Cover - Gear (5/16 x 1-1/8")
3	150-0610	1	*Shaft and Arm, Governor	21	150-0136	1	*Stud, Sensitivity - Governor
4	150-0620	1	*Yoke, Shaft - Governor	22	402-0148	4	†Bushing, Spacer - Mounting Cushions
5	518-0129	1	*Ring, Retainer - Yoke	23	402-0146	4	†Cushion, Mounting - Lower
6	516-0130	1	*Pin, Stop - Governor Cup (In Gear Cover)	24	402-0147	4	†Cushion, Mounting - Upper
7	510-0008	1	*Bearing, Shaft - Governor (Lower)	25	505-0076	1	Nipple, Drain - Oil
8	510-0014	1	*Ball, Bearing - Governor Shaft	26	505-0028	1	Coupling, Drain - Oil
9	103-0640	1	Gearcase Assembly (Includes Parts Marked *)	27	816-0114	4	†Bolt, Carriage (5/16-18 x 4-1/2") - Cushion Mounting
10	103-0011	1	Gasket, Cover - Gear	28	526-0076	8	†Washer, Flat (11/32" ID x 1-1/2" OD x 1/16" THK)
11	870-0053	1	*Nut, Hex (#10-32)	29	862-0015	4	†Nut, Hex (5/16-18)
12	850-0030	1	*Washer, Lock - Spring (#10)	30	850-0045	4	†Washer, Lock - Spring (5/16")
16			Screw, Cap - Hex Head				
	800-0034	1	5/16-18 x 2-1/4" Lg				
	800-0032	4	5/16-18 x 1-3/4" Lg				

* - Parts Included in 103-0640 Gearcase Assembly.
 † - Parts Included in 402-0149 Mounting Cushion Assembly.

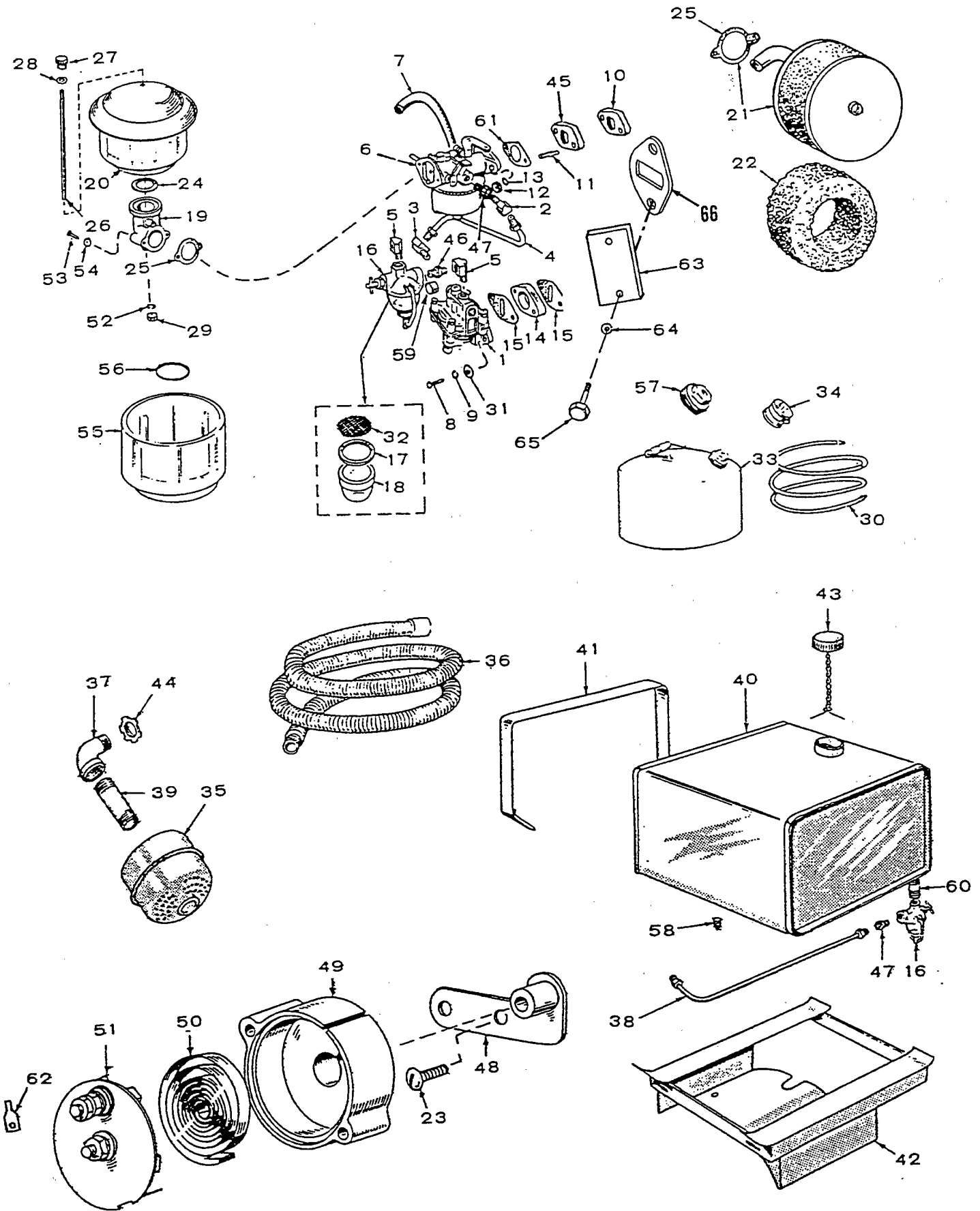
Fuel System



Fuel System

REF NO.	PART NO.	QTY USED	PART DESCRIPTION	REF NO.	PART NO.	QTY USED	PART DESCRIPTION
1	149-1784	1	Pump, Fuel (Includes Mounting Gasket) See Separate Group for Components - Key 5,6,7	23	815-0190	2	Screw (#8-32 x 3/8") - Adapter Mounting
2	502-0002	1	Elbow, Inlet - Carburetor (Electric Choke)	24	140-0443	1	Gasket, Cleaner - Air, Begin Spec C (Optional Spec A and B)
3	502-0002	1	Elbow, Outlet - Fuel Pump	25	145-0111	1	Gasket, Adapter to Carburetor
4		1	Line, Fuel Pump to Carburetor - Key 5,6,7	26	520-0538	1	Stud, Cleaner - Air, Begin Spec C (Optional Spec A and B)
	149-0614	1	Spec A Through D	27	140-0587	1	Nut, Cleaner - Air, Plastic - Begin Spec C (Optional Spec A and B)
	149-1112	1	Begin Spec E				
5	502-0020	2	Elbow (1) Fuel Filter (1) Fuel Pump Inlet - Key 5,6,7	28	850-0030	1	Washer, Lock (#10)
6			Carburetor - Complete (Includes Mounting Gasket) (See Separate Group for Components)	29	870-0053	2	Nut, Hex (#10-32) - Air Cleaner Stud
			Gasoline	30	501-0007	1	Line, Fuel (Flexible) - Key 1,2,5,6,7
			Key 1,2,3 - Manual Choke	31	526-0063	2	Washer, Flat (Copper) - Pump Mounting - Key 5,6,7 (17/64 ID x 7/16 OD x 1/32" Thk)
	146-0130	1	Spec A Through D	32	149-0202	1	*Screen, Filter - Fuel - All Models
	146-0296	1	Begin Spec E	33	415-0126	1	Tank, Fuel - Key 5,6,7
			Key 5,6,7 - Electric Choke	34	415-0124	1	Cap, Rain - Fuel Tank - Key 5,6,7
	146-0131	1	Spec A Through D	35	155-0484	1	Muffler, Exhaust
	146-0297	1	Begin Spec E	36	155-0127	1	Tube, Exhaust (Flexible - Includes Coupling) - Key 5,6,7
			# Gas	37	505-0003	1	Elbow, Pipe - Exhaust
	146-0127	1	Spec A Through D	38	159-0536	1	Line, Filter to Carburetor - Key 1,2,3
	146-0091	1	Begin Spec E	39		1	Nipple, Exhaust
			# Gas-Gasoline			1	1 x 3"
			Key 1,2,3 - Manual Choke		505-0087	1	1 x 5" - All Housed Sets
	146-0128	1	Spec A Through D	40	159-0530	1	Tank, Mounted - Fuel - Key 1,2,3
	146-0094	1	Begin Spec E	41	159-0537	2	Strap, Tank - Mounted Fuel - Key 1,2,3
			Key 5,6,7 - Electric Choke	42	159-0531	1	Bracket, Tank - Mounted Fuel - Key 1,2,3
	146-0129	1	Spec A Through D	43	159-0020	1	Cap, Tank - Mounted Fuel - Key 1,2,3
	146-0299	1	Begin Spec E	44	331-0053	1	Locknut, Elbow - Exhaust (1")
7	503-0736	1	Hose, Breather	45	145-0469	1	Plate, Mounting - Carburetor
8	806-0009	2	Screw, Cap - Counterbore Fuel Pump Mounting - Key 5,6,7 (1/4-20 x 1")	46	502-0082	2	Nipple, Filter - Fuel
9	850-0040	2	Washer, Lock (1/4") Key 5,6,7 Fuel Pump Mounting	47	502-0003	2	Connector, Line - Fuel Filter (1) Key 1,2,3 (1) Carburetor Inlet (Manual Choke)
10	145-0110	1	Spacer, Mounting - Carburetor	48		1	Adapter, Choke - Electric - Key 5,6,7
11			Stud, Mounting - Carburetor		153-0196	1	Spec A through D
	520-0363	2	Spec A through D		153-0420	1	Begin Spec E
	520-0632	2	Begin Spec E	49	153-0058	1	Housing, Choke - Electric - Key 5,6,7
12	868-0001	2	Nut, Hex - Jam (1/4-28)	50	153-0017	1	Bimetal, Choke - Key 5,6,7
13	853-0013	2	Washer, Shakeproof (1/4)	51	153-0113	1	Element and Cover, Choke - 12 Volt Element - Key 5,6,7
14	149-0045	1	Spacer, Mounting - Pump - Key 5,6,7	52	854-0010	1	Washer, Lock (#10)
15	149-0003	2	Gasket, Mounting - Pump - Key 5,6,7 (Key, 1,2,3 Use 1)	53	812-0082	2	Screw (#8-32 x 3/4") - Adapter Mounting
16	149-0079	1	Filter, Fuel - All Models (Includes Parts Marked *)	54	850-0025	2	Washer, Lock (#8)
17	149-0149	1	*Gasket, Bowl - Filter (All Models)	55	140-0469	1	Cup, Bath - Oil (Plastic)
18	149-0150	1	*Bowl, Filter - Fuel (All Models)	56	509-0135	1	Seal, "O" Ring
19	140-0493	1	Adapter, Cleaner - Air	57	415-0313	1	Cap, Tank - Fuel
20	140-0441	1	Cleaner Assembly, Air - Oil Bath, Begin Spec C (Optional Spec A and B)	58	505-0057	1	Plug, Drain
21	140-0397	1	Cleaner, Air - Dry - Spec A and B (Optional Begin Spec C)	59	149-1861	1	Valve, Safety - Fuel - Electric (Kit)
22	140-0408	1	Element, Cleaner - Air - Spec A and B (Optional Begin Spec C)				

Fuel System

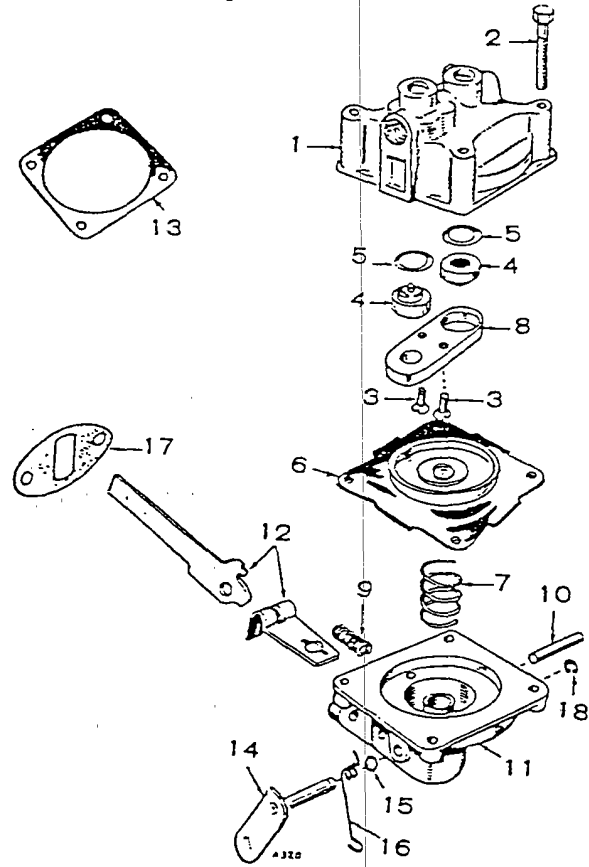


Fuel System

REF NO.	PART NO.	QTY USED	PART DESCRIPTION	REF NO.	PART NO.	QTY USED	PART DESCRIPTION
60	502-0046	1	Nipple, Close - Mounted Fuel Tank - Key 1,2,3	65	812-0148	2	Screw, Machine - Round Head (1/4-20 x 1/2") Key 1,2,3
61	141-0078	1	Gasket, Mounting - Carburetor	66	149-0003	1	Gasket, Fuel Pump Hole - Key 1,2,3
62	332-0527	1	Terminal, Disconnect - Quick				
63	149-0136	1	Cover, Hole - Fuel Pump - Key 1,2,3				
64	526-0063	2	Washer, Flat (17/64 ID x 7/16 OD x 1/32" Thk) Key 1,2,3				

* - Parts Included in 149-0079 Fuel Filter
 # - See separate optional group for additional related replacement parts for Gas and Gas-Gasoline Fuel Systems.

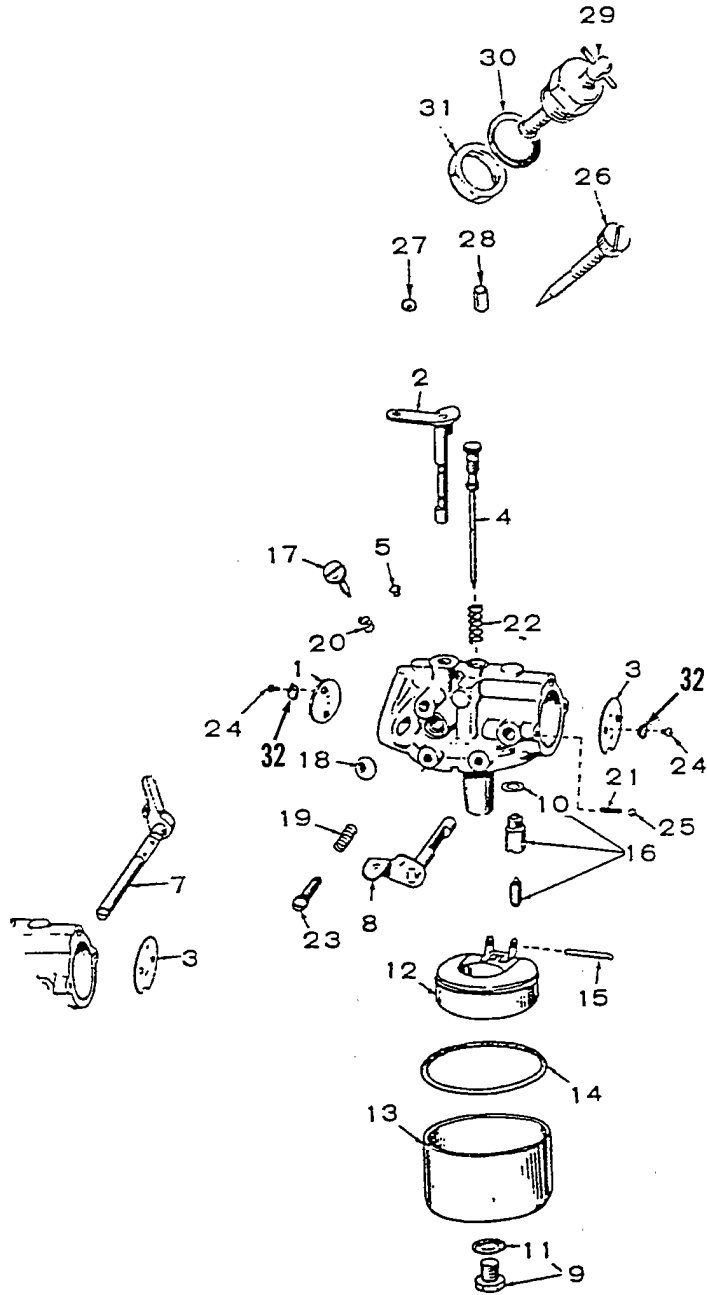
Fuel Pump Parts Key 5, 6, 7



REF NO.	PART NO.	QTY USED	PART DESCRIPTION	REF NO.	PART NO.	QTY USED	PART DESCRIPTION
	149-1784	1	Pump, Fuel (Complete) (Includes Mounting Gasket)	8	149-0539	1	Retainer, Cage - Valve
	149-0526	1	Repair Kit (Includes Parts Marked *)	9	149-0675	1	*Spring
1		1	Body (Not Sold Separately)	10	516-0113	1	Pin, Arm - Rocker
2	815-0148	4	Screw, Hex Head - Slotted (#8-32 x 7/8")	11		1	Body (Not Sold Separately)
3	815-0147	2	Screw, Self Tapping - Phillips (#6-32 x 5/8") - Retainer	12	149-0710	1	Link and Arm, Rocker (Sold Only as a Set)
4	149-0096	2	*Valve and Cage	13	149-0858	1	*Gasket, Diaphragm - Lower Side
5	149-0095	2	*Gasket, Valve	14	149-0551	1	Lever, Primer
6	149-0582	1	*Diaphragm Assembly	15	509-0065	2	Seal, "O" Ring
7	149-0672	1	*Spring	16	149-0404	1	Spring, Lever - Prime
				17	149-0003	1	*Gasket, Mounting - Pump
				18	518-0129	1	Ring, Retainer - Primer Lever

* - Parts Included in 149-0526 Repair Kit.

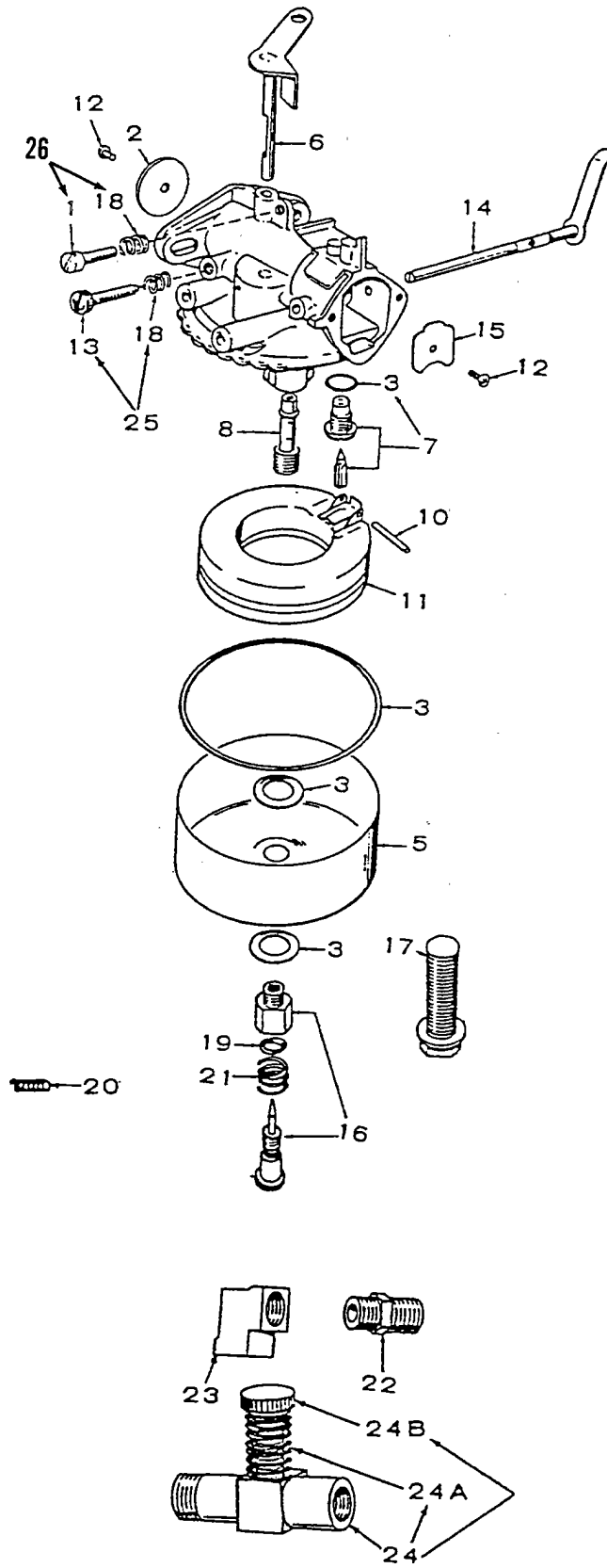
Carburetor Parts
Specs A through D



Carburetor Parts Specs A through D

REF NO.	PART NO.	QTY USED	PART DESCRIPTION	REF NO.	PART NO.	QTY USED	PART DESCRIPTION
			Carburetor - Replacement (Includes Mounting Gasket)	17	143-0109	1	Screw, Adjustment - Idle
	146-0130	1	Gasoline - Keys 1,2,3 (Manual Choke)	18	143-0110	1	Plug, Welch
	146-0131	1	Gasoline - Keys 5,6,7 (Electric Choke)	19	143-0111	1	Spring, Screw - Throttle Lever Adjusting
	146-0127	1	Gas	20	143-0112	1	Spring, Screw - Idle Adjusting
	146-0128	1	Gas-Gasoline - Keys 1,2,3 (Manual Choke)	21	143-0113	1	Spring, Shaft - Choke - Key 1,2,3
	146-0129	1	Gas-Gasoline - Keys 5,6,7 (Electric Choke)	22	143-0114	1	Spring, Needle - High Speed Adjusting
	143-0080	1	Kit, Gasket - Carburetor (Includes Parts Marked *)	23	143-0115	1	Screw, Adjusting - Throttle Lever
	143-0081	1	Kit, Repair - Carburetor (Includes Parts Marked †)	24	812-0014	4	Spring, Machine - Round Head (#3-48 x 3/16) Choke and Throttle Valve Attaching
1	143-0097	1	Valve, Throttle	25	143-0117	1	Ball, Shaft - Choke - Key 1,2,3
2	143-0098	1	Shaft and Lever, Throttle	26	148-0268	1	Needle, Valve (Gas only Carburetor)
3	143-0099	1	Valve, Choke	27	517-0062	1	Plug, Shot - Drop (Gas only Carburetor)
4	143-0078	1	Needle, Idle Jet and High Speed Adjustment	28	516-0120	2	Plug, Holes - Choke Shaft (Gas only Carburetor)
5	143-0030	1	Plug, Idle Passage	29	148-0135	1	Lock Assembly, Carburetor Float - Gas-Gasoline Carburetor
7	143-0100	1	Shaft and Weight, Choke - Key 5,6,7 (Modification note: Customer must drill 3/16 diameter hole through weight at 9/32" from shaft center for choke lock pin for gas operation on Gas-Gasoline model.)	30	148-0017	1	Gasket, Mounting - Float Lock - Gas-Gasoline Carburetor
8	143-0101	1	Shaft and Lever, Choke - Key 1,2,3	31	148-0038	1	Nut, Mounting - Float Lock - Gas-Gasoline Carburetor
9	143-0118	1	Screw and Gasket, Bowl	32	854-0003	4	Washer, Lock - IT (#3)
10	143-0015	1#*	Gasket, Valve - Fuel Inlet				§ - Not Used with Gas Only Carburetor.
11	143-0036	1#*	Gasket, Screw - Bowl				* - Parts Included in 143-0080 Gasket Kit.
12	143-0105	1	Float and Lever				† - Parts Included in 143-0081 Repair Kit.
13	143-0119	1	Bowl				# - Parts Included in 143-0341 Fuel Inlet Valve Repair Kit.
14	143-0077	1#*	Gasket, Ring - Bowl				
15	143-0212	1 †#	Pin, Lever - Float				
16	143-0341	1	Kit, Repair - Fuel Inlet Valve (Includes Parts Marked #)				

Carburetor Parts
Begin Spec E

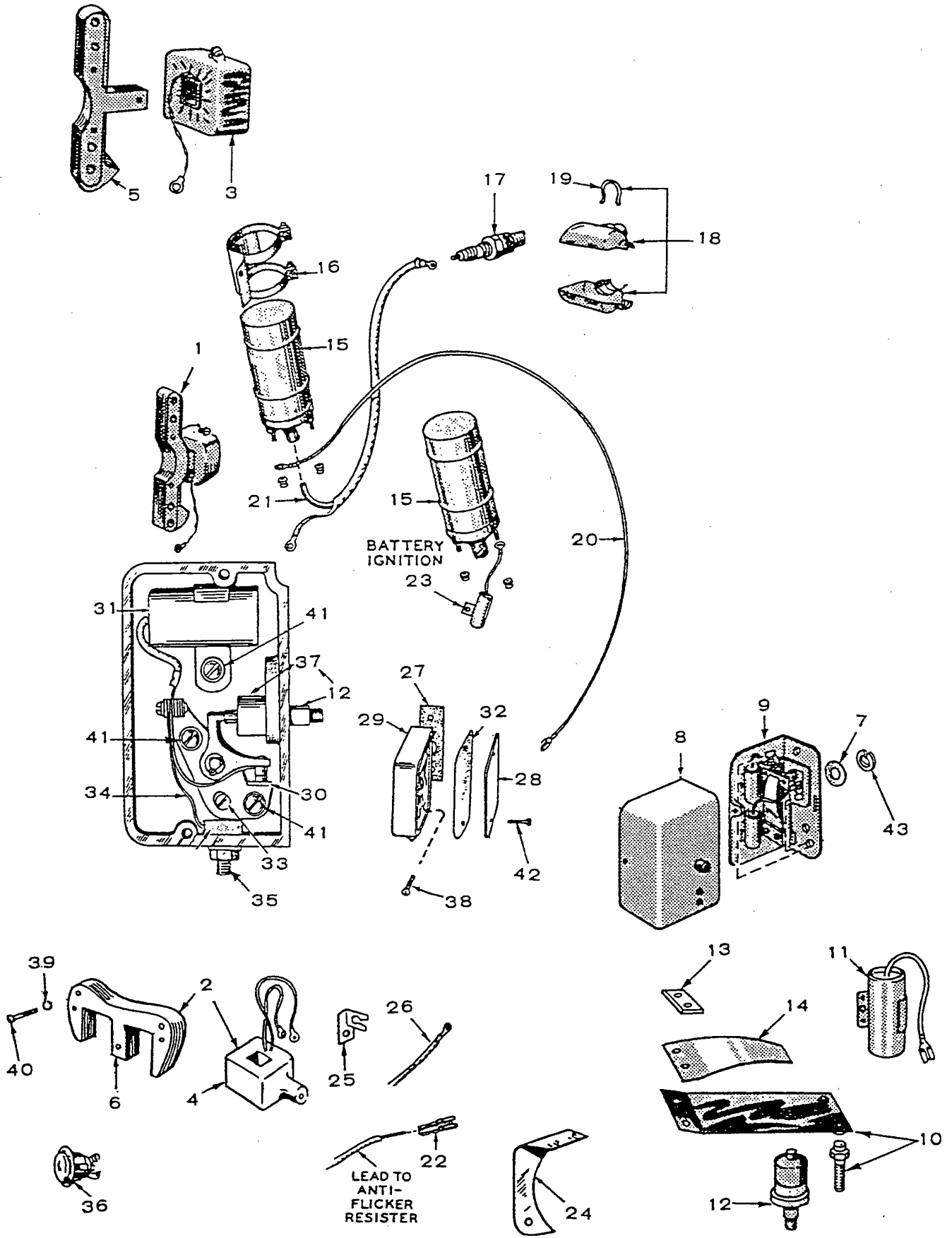


**Carburetor Parts
Begin Spec E**

REF NO.	PART NO.	QTY USED	PART DESCRIPTION	REF NO.	PART NO.	QTY USED	PART DESCRIPTION
			Carburetor, Gasoline (Includes Mounting Gasket)	15			Valve, Choke (Gasoline Carburetors)
	146-0296	1	Keys 1,2,3 (Manual Choke)		146-0105	1	Manual Choke
	146-0297	1	Keys 5,6,7 (Electric Choke)		146-0104	1	Electric Choke
			Carburetor, Gas-Gasoline (Includes Mounting Gasket)	16	146-0102	1	*Needle Assembly, Power (Gasoline and Gas-Gasoline Carburetor)
	146-0094	1	Key 1,2,3 (Manual Choke)				
	146-0299	1	Key 5,6,7 (Electric Choke)	17	146-0103	1	Screw, Retainer - Bowl (Gas Carburetor)
	146-0091	1	Carburetor, Gas				
	146-0123	1	Kit, Repair - Carburetor (Includes Parts Marked *)	18	146-0186	2	*§Spring, Throttle Stop Screw and Idle Screw
			Gasoline and Gas-Gasoline Units	19	146-0120	1	Seal, "O" Ring - High Speed Needle (Gasoline and Gas-Gasoline Carburetors)
1	146-0122	1	*Screw, Stop - Throttle				
2	146-0119	1	Valve, Throttle	20	146-0114	1	Spring, Stop - Choke (Gasoline and Gas-Gasoline Carburetors with Manual Choke)
3	146-0124	1	*Gasket, Carburetor (Pkge)				
5	146-0118	1	Bowl, Fuel	21	146-0117	1	Spring, Needle - High Speed (Gasoline and Gas-Gasoline Carburetor)
6	146-0112	1	Shaft Assembly, Throttle				
7			Float, Valve				
	146-0115	1	Seat and Gasket Assembly (Gasoline & Gas-Gasoline Carb.) - Not used on Rough Service Carburetors	22	502-0082	1	Nipple, Gas (Gas or Gas-Gasoline)
	146-0145	1	Seat, Spring and Gasket Assembly - For Rough Service Carburetors	23	502-0055	1	Elbow, Gas (Gas or Gas-Gasoline)
8	146-0113	1	Nozzle (Gasoline and Gas-Gasoline Carburetors)	24	148-0178	1	Adjustment Assembly, Gas (Gas or Gas-Gasoline) (Includes Parts Marked †)
10	146-0111	1	*Shaft, Float (Gasoline and Gas-Gasoline Carburetors)	24A	148-0010	1	†Spring, Gas Assembly
11	146-0110	1	Float Assembly (Gasoline and Gas-Gasoline Carburetors)	24B	148-0131	1	†Screw, Gas Assembly
12	146-0109	2	Screw and Washer (One only for Gas Carburetors)	25	146-0209	1	Needle Assembly, Idle Adjust - Package (Includes Parts Marked §)
13	146-0116	1	§Needle, Idle (Gasoline and Gas-Gasoline Carburetors)	26	146-0261	1	Screw Package - Throttle Adjust (Includes Parts Marked *)
14			Shaft Assembly, Choke (Gas-Gasoline and Gasoline)				
	146-0108	1	Manual Choke				
	146-0107	1	Electric Choke (Gasoline Carburetor)				
	146-0106	1	Electric Choke (Gas-Gasoline Carburetors)				

* - Parts Included in 146-0123 Repair Kit.
† - Parts Included in 148-0178 Gas Adjustment Assembly.
§ - Parts Included in 146-0209 Idle Needle Assembly.
* - Parts Included in 146-0261 Throttle Adjust Screw Package.

Ignition System

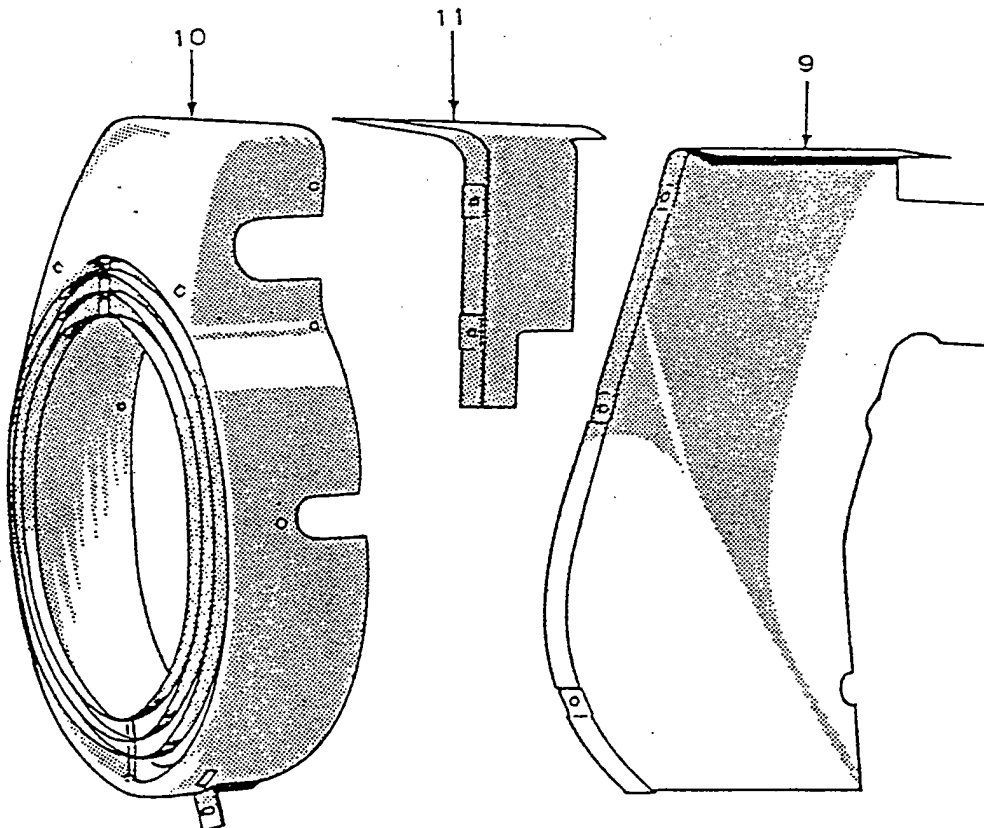
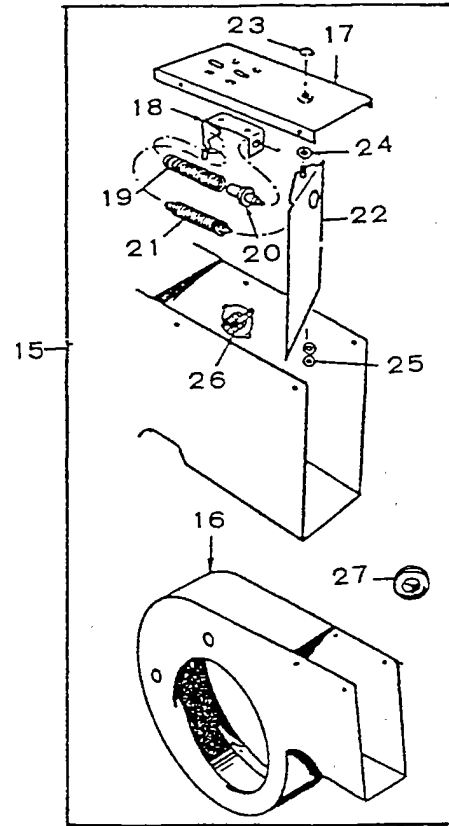
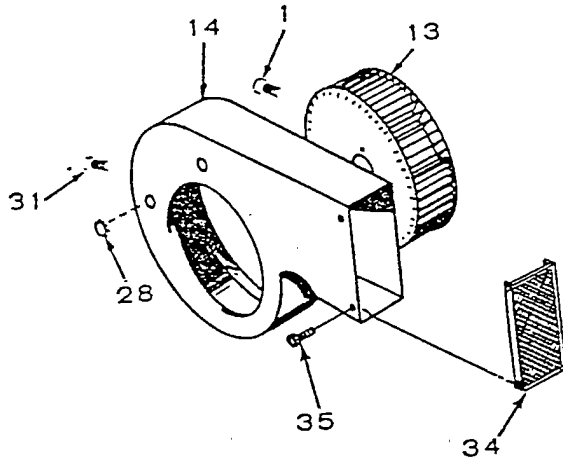
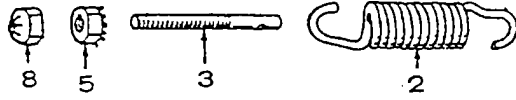
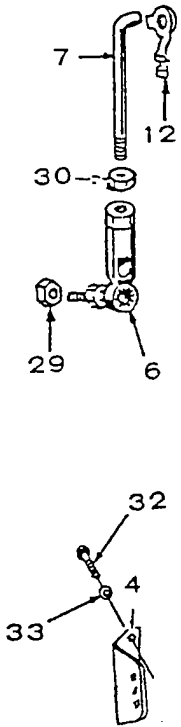


Ignition System

REF NO.	PART NO.	QTY USED	PART DESCRIPTION	REF NO.	PART NO.	QTY USED	PART DESCRIPTION
	160-0836	1	Kit, Tune-Up - Ignition (Includes Parts Marked *)	22	332-0529	2	Terminal, Lead - Anti-Flicker
			Begin Spec E	23	312-0058	1	Condenser, 0.1 Mfd. - Ignition
1	160-0722	1	Stator Assembly, Magneto, Key 1,2,3 - Spec A and B	24	160-0500	1	Coil - Key 5,6,7
2	160-1028	1	Magneto Assembly, Key 1,2,3 - Begin Spec C (Includes Spark Plug Cable)	25	167-0188	1	Bracket, Timing - Vacu-Flo Set - Key 5,6,7
3	160-0282	1	Coil, Stator - Magneto	26	167-1486	1	Clip, Cable - Spark Plug - Coated - Key 1,2,3 - Begin Spec C
4			Coil, Magneto - Key 1,2,3	27			Lead, High Tension - Ground - Key 1,2,3 - Spec C Only
	160-1027	1	Spec C through M				Gasket, Mounting - Breaker Box
	160-1002	1	Begin Spec N		160-1152	1	Spec E through M
5	160-0281	1	Pole Shoe, Magneto - Key 1, 2,3 - Spec A and B		160-0043	1	Begin Spec N
6	160-0749	1	Pole Shoe, Magneto - Key 1, 2,3 - Begin Spec C	28	160-0930	1	Cover, Box - Breaker - Begin Spec E
7	160-0515	1	Gasket, Mounting - Breaker Box - Spec A through D	29	160-0257	1	Box Assembly, Ignition Breaker - Includes Cover and Gasket - Begin Spec E
8			Cover, Box - Breaker - Spec A through D	30	160-0002	1	*Point Set, Breaker - Begin Spec E
	160-0497	1	Key 5,6,7	31	312-0069	1	*Condenser, Points - Breaker - Begin Spec E
	160-0510	1	Key 1,2,3	32	160-0150	1	Gasket, Cover - Breaker Box - Begin Spec E
9			Box Assembly, Ignition Breaker - Less Cover	33	160-0075	1	Cam, Adjusting - Point Gap - Begin Spec E
	160-0498	1	Spec A and B	34	160-0428	1	Strap, Point Set to Terminal Block - Begin Spec E
	160-0976	1	Spec C through D	35	160-0349	1	Block and Terminal Assembly, Breaker Box - Begin Spec E
10	160-0513	1	Contact Point Set, Dual - Ignition and Anti-Flicker - Spec A through D (NOTE: Use the Ignition Contacts Only Begin Spec C)	36	313-0018	1	Switch, Stop - Key 1,2,3
11	312-0100	1	Condenser - .05 Mfd. - Ignition (Spec A and B, Use 1 for Anti-Flicker)	37	160-1143	1	Diaphragm, Plunger - Breaker (For early models only)
12	160-0262	1	Plunger Assembly (Includes Plunger, Diaphragm and Guide)	38	802-0034	2	Screw, Head - Socket - Breaker Box Mounting (1/4-20 x 3/4")
13	166-0067	1	Strip, Breaker - Dampener	39	850-0040	2	Washer, Lock - Stator Mounting (1/4")
14	166-0049	1	Dampener, Spring - Breaker	40	812-0155	2	Screw, Machine - Round Head - Stator Mounting (1/4-20 x 1-1/4")
15	166-0278	1	Coil, Ignition - Key 1,2,3 - Spec A and B (Also all Key 5,6,7)	41	518-0049	3	Screw, Head - Round W/ET (#8-32 x 1/4")
16	166-0433	1	Bracket, Mounting - Coil - Spec A and B (Also Key 5,6,7 - Begin Spec C)	42	812-0077	2	Screw, Machine - Round Head Breaker Box Cover Mounting (#8-32 x 3/8")
17			Plug, Spark	43	850-0040	2	Washer, Lock - Breaker Box Mounting (1/4")
	167-0241	1	Non-Resistor Type				
	167-0237	1	Resistor Type				
18	167-0139	1	Shield, Plug - Spark - Includes Clamp				
19	167-0064	1	Clamp, Shield - Spark Plug				
20	334-0028	1	Lead (4 ft. Piece of Wire)				
21			Cable, Plug - Spark				
	167-1296	1	Key 5,6,7 (Also Key 1,2,3 - Spec A and B)				
	167-1487	1	Key 1,2,3 - Begin Spec C				

* - Parts Included in 160-0836 Ignition Tune Up Kit.

Air Housing and Governor

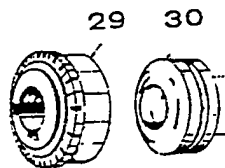
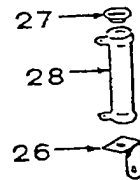
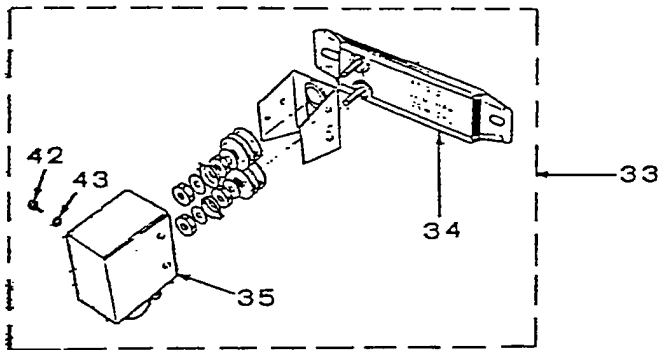
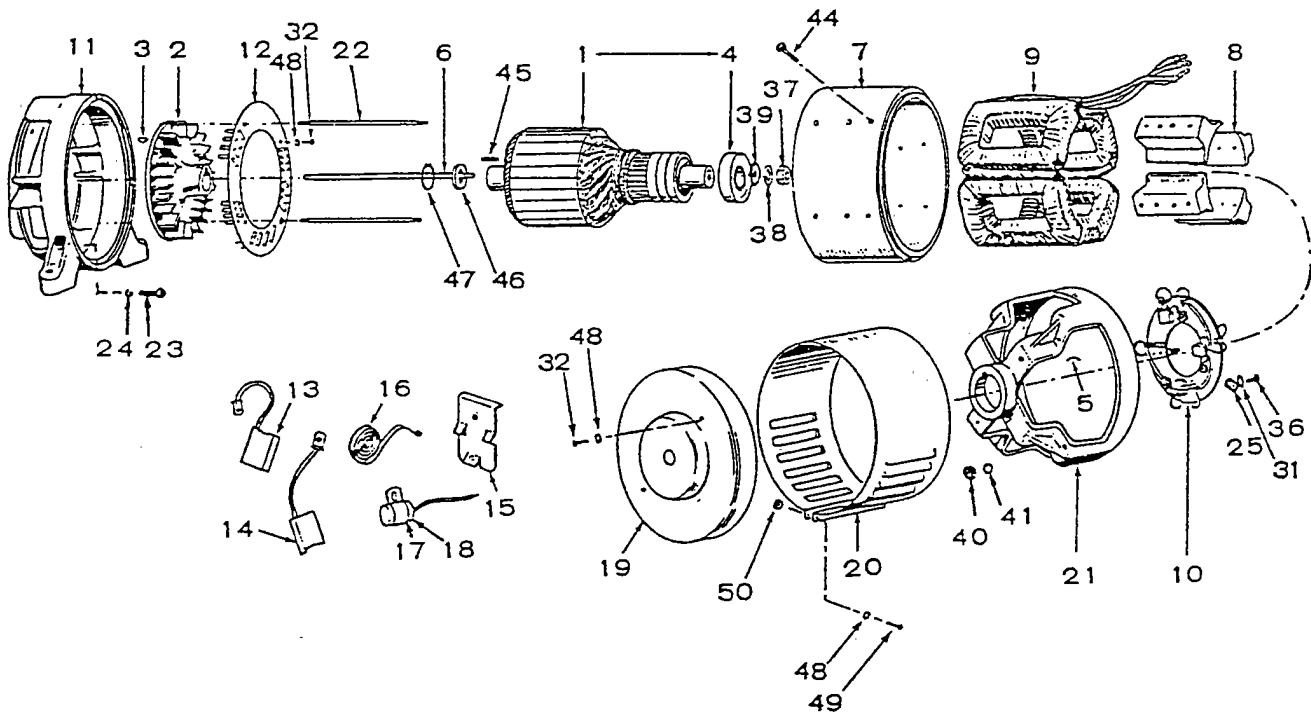


Air Housing and Governor

REF NO.	PART NO.	QTY USED	PART DESCRIPTION	REF NO.	PART NO.	QTY USED	PART DESCRIPTION
1	821-0018	4	Screw, Cap - Hex Head - Locking Blower Wheel - Key 5,6,7 (1/4-20 x 5/8")	16	134-0815	1	*Scroll, With Provision for Air Shutter
2	150-0098	1	Spring, Governor	17	134-0661	1	*Plate, Mounting - Vernatherm Element
3	150-0096	1	Stud, Adjustment - Speed	18	134-0660	1	*Bracket, Mounting - Vernatherm Element
4	150-0611	1	Bracket, Stud - Speed	19	134-0656	1	*Spring, Element - Vernatherm
5	870-0131	1	Nut, Hex - W/ET - Speed Adjustment (#10-32)	20	309-0085	1	*Element, Vernatherm
6	150-0974	1	Joint, Ball	21	134-0658	1	*Spring, Shutter
7			Link, Throttle	22	134-0655	1	*Shutter, Control - Circulated Air
	150-0732	1	For Sets with Gasoline or Gas-Gasoline Carburetor	23	518-0074	1	*Ring, Shaft - Retainer Shutter
	150-0786	1	For Sets with Gas Only Carburetor	24	526-0102	1	*Washer, Flat - Large-Spacing (25/64 ID x 1-5/16 OD x 1/32" Thk)
8	870-0188	2	Palnut, Locking (#10-32)	25	526-0016	3	*Washer, Flat - Small-Spacing (17/64 ID x 9/16 OD x 1/32" Thk)
9	134-0584	1	Housing, Air - Cylinder	26	309-0002	1	*Switch, Cut-Off - High Temperature
10	134-0590	1	Housing, Blower Pressure Cooled Sets (Prior to Serial #532241, Also order 192-0294 and 192-0295 Brackets)	27	508-0031	1	*Grommet, Rubber
			Vacu-Flo Sets - Key 5,6,7	28	517-0021	3	Button, Dot - (2) Air Scroll, (1) Timing Hole - Vacu-Flo Sets - Key 5,6,7
	134-0618	1	Sets Without Oil Base Heater	29	870-0131	1	Nut, Lock (#10-32)
	134-0707	1	Sets With Oil Base Heater - Optional	30	870-0053	1	Nut, Hex (#10-32)
11	134-0586	1	Cover, Air - Cylinder	31	821-0008	4	Screw, Cap - Hex Head Locking - Scroll (1/4-20 x 5/16")
12	518-0006	1	Clip, Governor Link to Carburetor	32	812-0150	2	Screw, Machine - Round Head (1/4-20 x 5/8")
13	134-0565	1	Wheel, Blower - Vacu-Flo Set - Key 5,6,7	33	850-0040	2	Washer, Lock (1/4")
14	134-3041	1	Scroll, Vacu-Flo Set (Includes Parts Marked +)	34	134-2956	1	+Guard, Outlet - Scroll
			Key 5,6,7	35	815-0421	4	+Screw, Tapping - Hex Head W/ET (#10-16 x 1/2")
15	134-0816	1	Shutter Assembly, Discharge Air - Optional on Vacu-Flo Cooled Sets - Key 5,6,7 (Includes Parts Marked *)				

* - Parts Included in 134-0816 Shutter Assembly.
+ - Parts Included in 134-3041 Air Scroll Assembly.

Generator



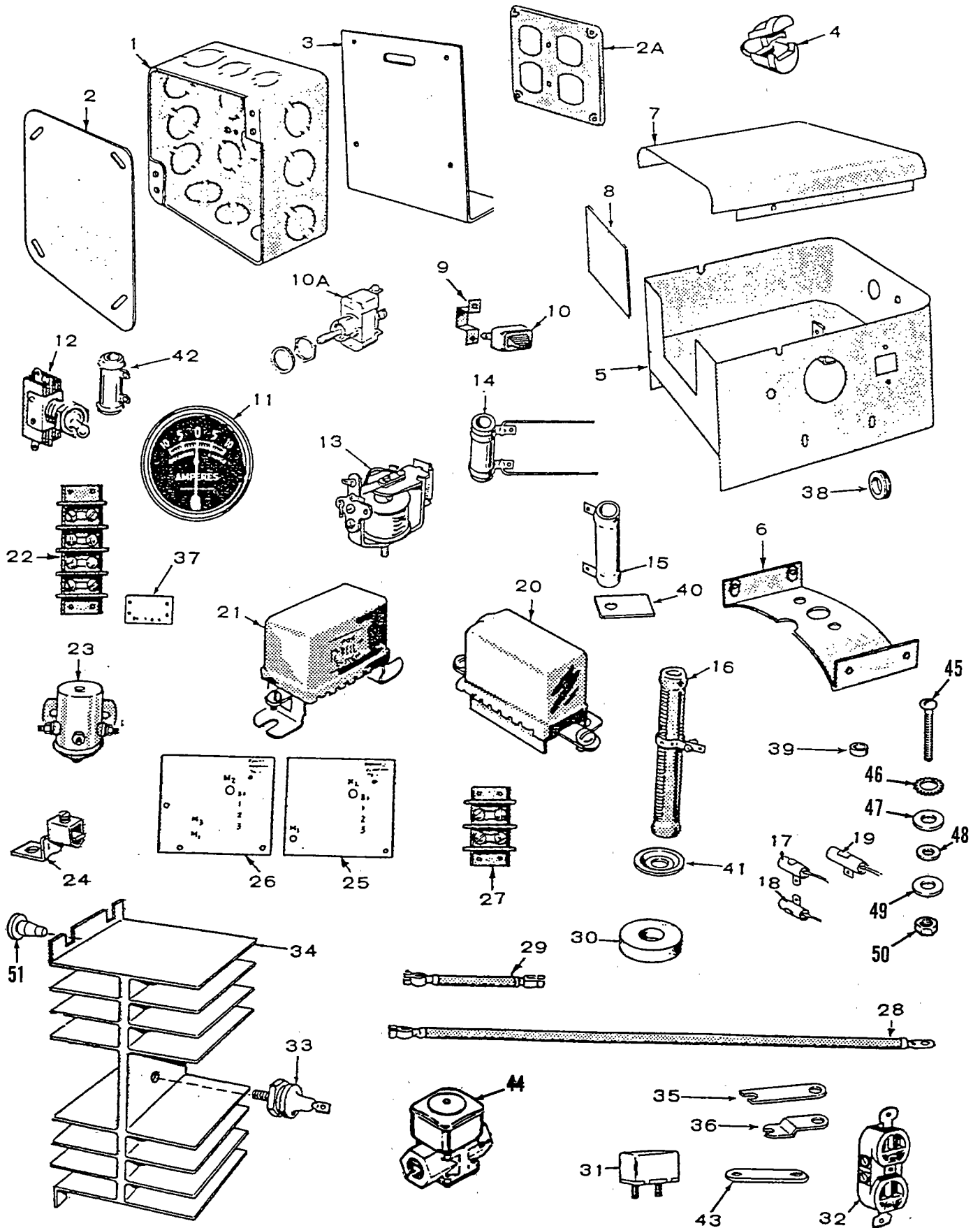
Generator

REF NO.	PART NO.	QTY USED	PART DESCRIPTION	REF NO.	PART NO.	QTY USED	PART DESCRIPTION
1			Armature Assembly (Includes Parts Marked †)	23	800-0050	4	Screw, Cap - Mounting - Hex Head Adapter (3/8-16 x 1")
	201-1303	1	60 Hertz	24	850-0050	4	Washer, Lock (3/8)
	201-1304	1	Keys 1 & 5	25	212-1214	4	Clamp, Assembly - Brush Rig
	201-1305	1	Keys 2 & 6	26	304-0323	1	Bracket, Mounting - Anti-Flicker Resistor - Spec A and B
			50 Hertz				
	201-1306	1	Keys 1 & 5	27	304-0015	2	Washer, Centering - Resistor Mounting - Spec A and B (Begin Spec L, Use 4)
	201-1307	1	Keys 2 & 6				Resistor, Anti-Flicker - Spec A and B
	201-1308	1	Keys 3 & 7				50 Hertz - Key 1,2,5 (Except Utility Models) 6
2	205-0053	1	†Blower, Generator	28			60 Hertz - Key 1,2,3,5 (Except Utility Models) 6,7
3	515-0006	1	Key, Blower to Crankshaft		304-0042	1	Key 5 (Utility Models)
4	510-0047	1	†Bearing (Ball), Armature		304-0377	1	Commutator
5	232-0596	1	Clip, Stop - Bearing				Ring, Collector
6			Stud, Armature Through		304-0438	1	Key 1,2,5,6
	520-0350	1	Key 1,2,5,6		203-0009	1	Key 3,7
	520-0527	1	Key 3,7	29			Frame Only, Generator (Machined and Drilled, Less Coils and Pole Shoes)
7	210-0243	1	Frame Only, Generator	30			Shoe, Pole - Field Coils
			(Machined and Drilled, Less Coils and Pole Shoes)		204-0009	1	Coil Assembly, Field (Set of 4 Coils)
8	221-0086	4	Shoe, Pole - Field Coils		204-0010	1	Key 1,2,3
9			Coil Assembly, Field (Set of 4 Coils)	31	853-0013	2	Key 5,6,7
	222-1638	1	Key 1,2,3				Washer, Lock - ET - Brush Rig (1/4")
	222-1633	1	Key 5,6,7	32			Screw, Machine - Round Head (#10-32 x 3/8")
10			Rig Assembly, Brush		813-0098	2	End Bell Cover
	212-0294	1	Key 1,2,5,6		813-0098	3	Air Baffle
	212-0295	1	Key 3,7 - Spec A and B	33	333-0137	1	Kit, Heater - Generator (Includes Parts Marked *)
	212-0296	1	Key 3,7 - Begin Spec C				*Heater, Generator
11	231-1006	1	Adapter, Generator to Engine	34	333-0135	1	*Cover, Terminals - Heater
12	232-1256	1	Scroll, Baffle - Air	35	333-0136	1	Screw, Cap - Hex Head Brush Rig Mounting (1/4-20 x 5/8")
13			Brush, Ring - Collector	36	800-0004	4	Nut, Hex (7/16-14) - Armature Stud
	214-0050	4	Key 1,2,5,6				Washer, Lock (7/16")
	214-0032	3	Key 3,7 - Spec A and B	37	862-0004	1	Washer, Flat (29/64 ID x 7/8 OD x 1/16" Thk)
	214-0050	3	Key 3,7 - Begin Spec C				Nut, Hex (5/16-18) - Generator Through Stud
14			Brush, Commutator	38	850-0055	1	Washer, Lock (5/16")
	214-0061	4	Key 1,2,5,6	39	526-0032	1	Screw, Round Head (#10 x 3/8" Long) - Heater Cover Mounting
	214-0030	4	Key 3,7 - Spec A and B				*Washer, Lock - W/IT Heater Cover Mounting (#8)
	214-0061	4	Key 3,7 - Begin Spec C	40	862-0015	2	Screw, Cap - Hex Head (Special)
15			Spring, Brush				Key, Drive - Armature
	212-1105	8	Key 1,2,5,6	41	850-0045	2	Washer, Retaining - Blower (Special)
	212-1105	7	Key 3,7 - Begin Spec C	42	809-0043	1	Ring, Retaining - Blower
16			Spring, Brush Key 3,7 - Spec A and B				Washer, Lock (#10)
	212-1004	3	Collector Ring	43	854-1007	1	End Bell Cover
	212-1003	4	Commutator	44	114-0022	8	Air Baffle
17			Condenser (.5 Mfd.) DC				End Bell Band
	312-0017	1	Key 1,2,5,6	45	515-0122	1	Screw, Machine - Round Head - End Bell Band (10-32 x 7/8")
	312-0027	1	Key 3,7	46	232-0029	1	Nut, Hex - End Bell Band (#10-32)
18			Condenser (.1 Mfd.) AC				
	312-0058	1	Key 1,2,5,6	47	518-0014	2	
	312-0058	2	Key 3,7	48			
19	211-0099	1	Cover, Bell - End		850-0030	2	
20			Band, Bell - End		850-0030	3	
	234-0002	1	Key 1,2,5,6		850-0030	2	
	234-0005	1	Key 3,7	49	815-0110	2	
21			Bell, End				
	211-0097	1	Key 1,2,5,6	50	870-0053	2	
	211-0098	1	Key 3,7				
22			Stud, Generator Through				
	520-0337	2	Key 1,2,5,6				
	520-0329	2	Key 3,7				

† - Parts Included in Armature Assemblies.

* - Parts Included in 333-0137 Generator Heater Kit.

Control

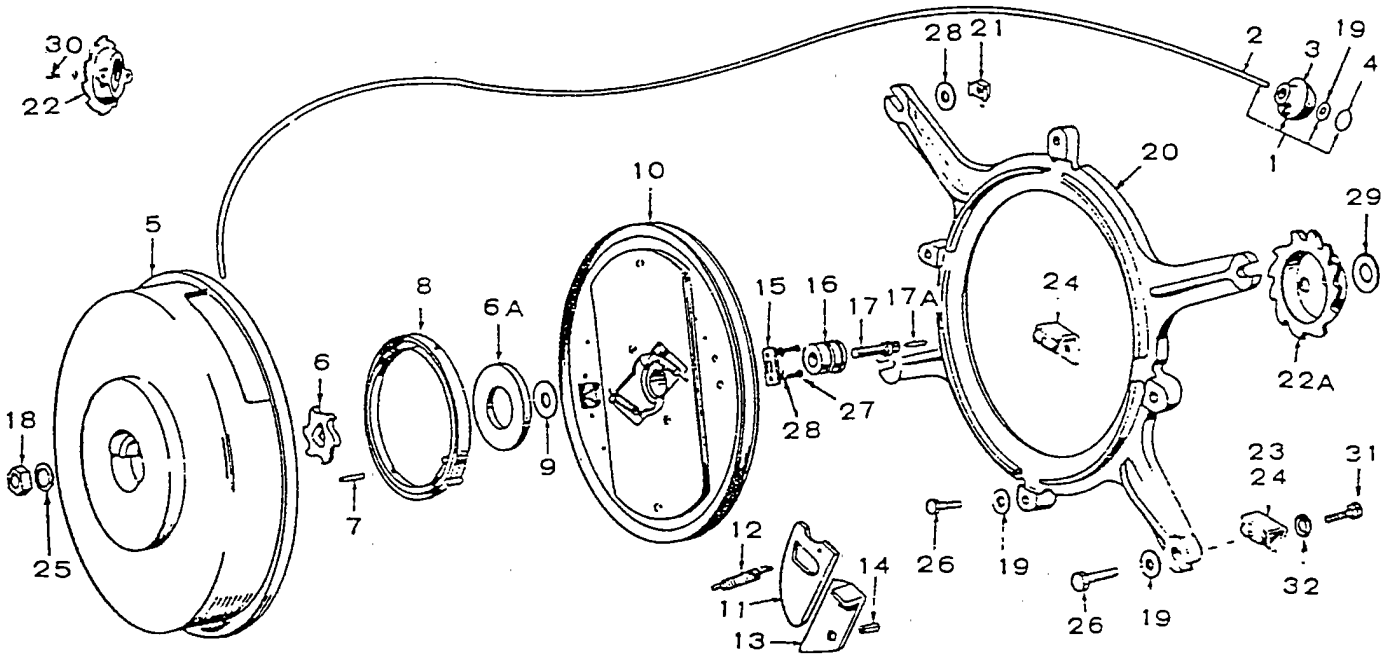


Control

REF NO.	PART NO.	QTY USED	PART DESCRIPTION	REF NO.	PART NO.	QTY USED	PART DESCRIPTION
1	330-0028	1	Box, Receptacle, or Junction - Key 1,2,3	22	332-0537	1	Block, Terminal - Remote Control (4 Terminal) - Key 5,6,7
2	330-0006	1	Cover, Box - Junction - Key 1,2,3 - Spec A and B	23	307-1046	1	Solenoid, Start - Key 5,6,7
2A	330-0042	1	Cover, Box - Receptacle - Key 1,2,3	24	332-0142	1	Terminal, Solderless
3	301-1276	1	Bracket, Mounting - Receptacle or Junction Box - Key 1,2,3	25	332-0540	1	Marker, Terminal - Load - Key 5,6,7
4	508-0098	1	Bushing, Insulator - Junction Box - Key 1,2,3	26	332-0539	1	Marker, Terminal - Load - Key 7
5			Box, Control - Includes Panel and Resistor Bracket	27	332-0231	1	Block, Terminal - Load - Key 5,7
	301-1160	1	Key 5 (Except Utility Models), 6,7	28	416-0077	2	Cable, Battery - Key 1,2,5 (Except Utility Models), 6,7
	301-1630	1	Key 5 (Utility Models) - Spec A through J)	29	416-0133	1	Cable, Jumper - Battery - Key 1,2,5,6,7
	301-3432	1	Key 5 (Utility Models) - Begin Spec K	30	110-0300	1	Spacer, Mounting - Junction Box - Key 1,2,3
6	301-1198	1	Bracket, Mounting - Control Box - Key 5,6,7	31	320-0158	1	Breaker, Circuit - Key 5 (Utility Models)
7	301-1244	1	Cover, Box - Control - Key 5,6,7	32			Receptacle, Duplex - Begin Spec C
8	301-1271	1	Plate, End - Key 5,6,7		323-0184	1	2 Parallel Blades, 1 Grounding Pin - Key 1 Use 2
9	301-0974	1	Bracket, Switch - Start-Stop - Key 5,6,7 (Used with #308-0090 Switch Only)		323-0213	1	2 Tandem Blades, 1 Grounding Pin
10	308-0090	1	Switch, Start-Stop - Key 5,6,7 Prior to Approximately 2-10-61 (Use #308-0166 to Replace)	33	358-0019	1	Rectifier, Diode - Key 5 (Utility Models) - Begin Spec K
10A	308-0154	1	Begin Approximately 2-10-61	34	363-0059	1	Sink, Heat - Rectifier Mounting - Key 5 (Utility Models) Begin Spec K
11			Ammeter, Charge (Includes Hardware Package)	35	160-0144	2	Jumper, Receptacle - Duplex Key 1, Key 3 Use 1
	302-1360	1	10-0-10 - Key 5 (Except Utility Models), 6,7	36	332-1695	1	Jumper, Receptacle - Duplex Key 3
	302-1363	1	45-0-45 - Key 5 (Utility Models)	37	332-0566	1	Strip, Marker (Use with 332-0537) Key 5,6,7
12			Switch, Toggle - Manual, Electric Start	38			Grommet, Rubber
	308-0002	1	Key 5 (Except Utility Models), 6,7		508-0001	1	3/4" Hole, 1-9/32" OD - Key 5,6,7 Use 2
	308-0002	1	Key 5 (Utility Models) - Spec A through J		508-0002	1	3/8" Hole, 5/8" OD
13	307-0253	1	Relay, Stop - Key 5,6,7		508-0009	1	1" Hole, 1-9/16" OD
14	304-0251	1	Resistor, Fixed (30-Ohm, 5 Watt) - Key 5,6,7	39	508-0015	2	Washer, Fiber - Key 5,6,7
15	304-0344	1	Resistor, Fixed (1-Ohm, 25 Watt) - Key 5 (Except Utility Models), 6,7	40	304-0292	3	Insulator, Resistor - Key 5,6,7
16	304-0175	1	Resistor, Adjustable (10-Ohm, 50 Watt) - Key 5 (Except Utility Models), 6,7	41	304-0014	2	Washer, Centering
17	312-0017	1	Condenser, 0.5 Mfd. - Load Terminal - Key 5	42	304-0060	1	Resistor - 1.72-Ohm, 25 Watt - Key 5,6,7
18	312-0058	1	Condenser, 0.1 Mfd. - Load Terminal - Key 5,6, (1), Key 7 (2)	43	332-0592	1	Jumper, Relay - Stop, Key 5,6,7
19	312-0057	1	Condenser, 1 Mfd. - Start Solenoid - Key 5,6,7	44	307-0312	1	Valve, Fuel Solenoid (K5) Key 7
20	305-0001	1	Regulator, Voltage - Charge Circuit - Key 5 (Except Utility Models), 6,7		307-0829	1	Coil (Replacement for K5 Fuel Solenoid Valve) Key 7
21			Relay, Current - Reverse	45	810-0072	2	*Screw, Machine - Round Head Brass (#8-32 x 3/4")
	307-0180	1	Key 5 (Except Utility Models) 6,7	46	853-0005	1	*Washer, Lock - ET (#8)
	307-0495	1	Key 5 (Utility Models) - Spec A through J	47	526-0048	2	*Washer, Flat (#8)
	307-0454	1	Relay, Disconnect - Charge Key 5 (Utility Models)	48	508-0016	1	*Washer, Fiber (#10)
				49	508-0015	2	*Washer, Fiber (#8)
				50	871-0007	1	*Nut, Hex (#8-32)
				51	870-0196	4	Nut, Insulating

* - Lead tie hardware for K2, S2 and T1 leads.

Readi-Pull Starter



Readi-Pull Starter

REF NO.	PART NO.	QTY USED	PART DESCRIPTION	REF NO.	PART NO.	QTY USED	PART DESCRIPTION
			#Starter Kit - Includes Mounting Ring and Ratchet Wheel	20	192-0186	1	Ring, Mounting - Starter to Blower Housing
	192-0385	1	Begin Spec B	21	870-0110	2	Nut, Speed (1/4-20) Starter Ring to Blower Housing - Top
	192-0215	1	Spec A Only (NOTE: Also order #192-0294 and 192-0295 Brackets)	22	192-0170	1	Wheel, Ratchet - Spec A Only
1	192-0045	1	Rope and Grip Assembly	22A	192-0309	1	Wheel, Ratchet - Begin Spec B
2	192-0043	1	Rope, Starter, Less Grip, 83" Long	23	192-0294	1	Bracket, Mounting - Starter, Right Hand
3	192-0044	1	Handle, Starter Rope	24	192-0295	1	Bracket, Mounting - Starter, Left Hand
4	517-0025	1	Plug, Grip - Starter Rope	25	850-0050	1	Washer, Lock - Cover Nut (3/8")
5	192-0152	1	Cover, Starter	26	800-0007	4	Screw, Cap - Hex Head Starter Ring to Blower Housing (1/4-20 x 1")
6	192-0153	1	Wheel, Cog - Anti-Backlash				Starter to Mounting Ring (1/4-20 x 5/8")
6A	526-0168	1	Washer, Flat - Spring Retainer (1-15/32 ID x 3 OD x 3/64" Thk)	27	815-0137	4	*Screw, Cap - Hex Head, Rope Clamp Mounting (1/4-20 x 5/8")
7	516-0138	1	Pin, Roll (3/16 x 9/16") - Recoil Spring	28	815-0137	2	*Washer, Flat - Rope Clamp Mounting (9/32 ID x 9/16 OD x 1/16" Thk)
8	192-0039	1	Spring, Recoil	29	526-0014	1	Washer, Flat - Spacer (29/64 ID x 1-1/2 OD x 1/8" Thk)
9	526-0123	1	Washer, Thrust (Flat) (25/64 ID x 1-1/4 OD x 1/16" Thk)	30	192-0218	2	Screw, Socket Head - Ratchet Wheel - Spec A Only (Special)
10	192-0180	1	Sheave Assembly, Rope (Includes Parts Marked *)	31	800-1004	2	Screw, Hex Head - Starter Bracket Mounting (Special)
11	192-0172	2	*Pawl	32	850-1040	2	Washer, Lock - Starter Bracket Mounting (1/4")
12	192-0165	2	*Spring, Pawl				
13	192-0168	2	*Arm, Ratchet				
14	516-0110	4	*Pin, Roll (5/16 x 1/2") (2) Ratchet Arm, (2) Pawl				
15	192-0167	1	*Clamp, Rope				
16	192-0163	1	Bearing, Hub - Sheave (Bronze)				
17	192-0323	1	Capscrew, Socket Head (Special)				
17A	516-0132	1	Pin, Spiral (Brass 1/8" x 5/8") Locating				
18	862-0003	1	Nut, Hex - Bushing to Cover Screw (3/8-16)				
19			Washer, Flat				
	526-0180	4	Starter to Mounting Ring (17/64 ID x 7/8 OD x 1/8" Thk)				
	526-0169	1	Starter Rope Grip (17/64 ID x 7/8 OD x 1/16" Thk)				
	526-0130	2	Starter Ring to Blower Housing - Top (17/64 ID x 1 OD x 1/16" Thk)				
	526-0158	4	Starter Ring to Blower Housing (17/64 ID x 1 OD x 1/8" Thk)				

* - Parts Included in 192-0180 Rope Sheave Assembly.

- NOTE: Starter does not fit Vacu-Flo cooled sets. Starter is optional on remote type sets.

Service Kits and Miscellaneous

REF NO.	PART NO.	QTY USED	PART DESCRIPTION	REF NO.	PART NO.	QTY USED	PART DESCRIPTION
	98-1100	1	Decal Kit				Paint, Touch Up (13 oz. Pressurized Spray Can)
	168-0065	1	Kit, Gasket - Engine				Silver Green
	412-0021	1	Cover, Canvas	525-0137		1	Non-Metallic Green
	405-2244	1	Housing Package - Optional - Vacu-Flo Sets Only	525-0305		1	

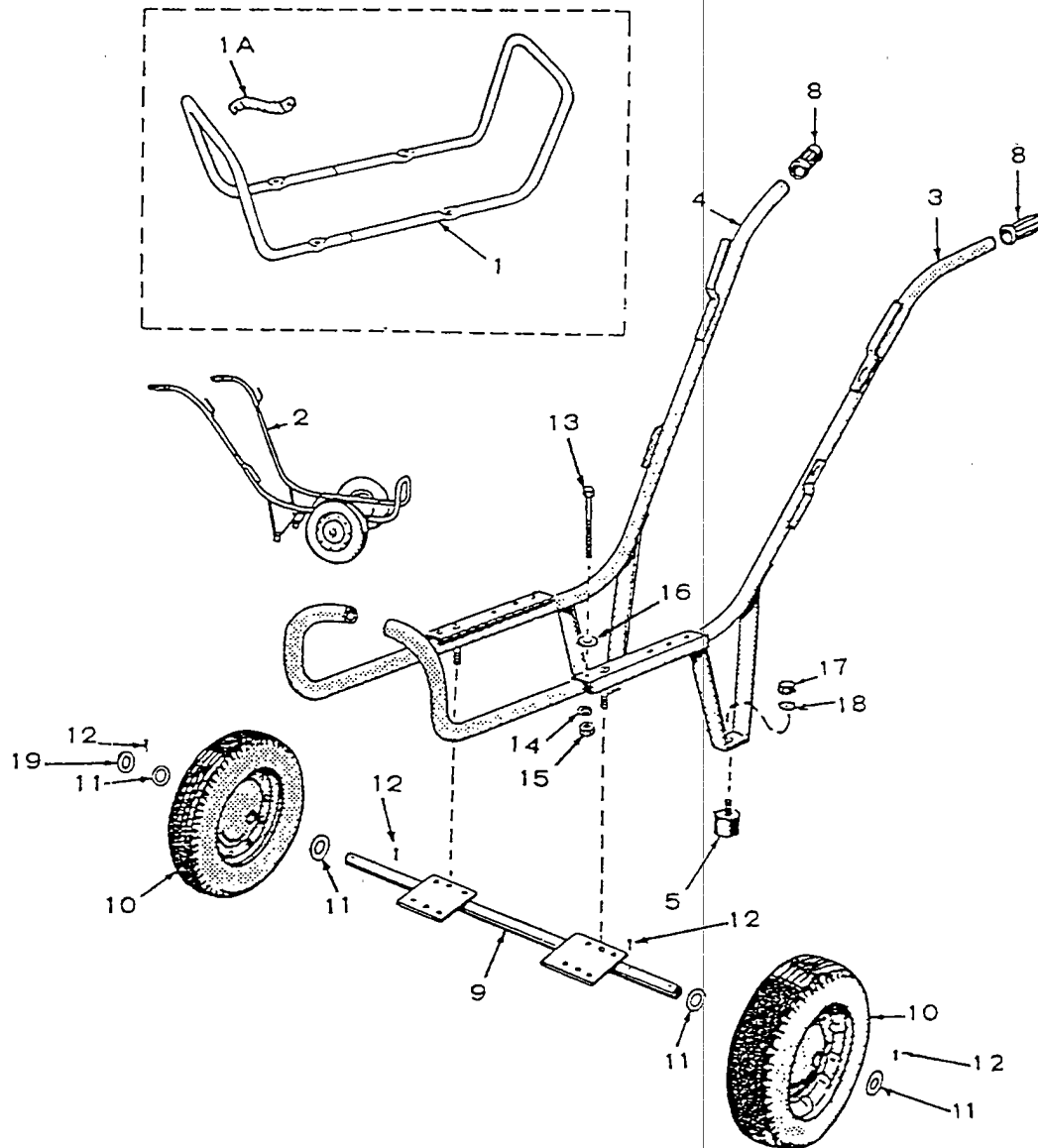
NOTE: For other kits refer to the related group.

Optional Equipment Section

This section contains parts listing of factory installed options.

NOTE: Options may not be applicable to all models; for field installations, additional parts are usually required.

Optional Carrying Frame and Dolly



REF NO.	PART NO.	QTY USED	PART DESCRIPTION	REF NO.	PART NO.	QTY USED	PART DESCRIPTION
1	403-0376	1	Frame Kit, Carrying - Includes Frame, Mounting Bolts and Grounding Strap - Excludes Mounting Cushions	12	516-0042	4	Pin, Cotter - Wheel Mounting
1A	337-0036	1	Strap, Grounding to Frame	13	800-0058	4	Screw, Cap - Hex Head (3/8-16 x 3") - Oil Base to Dolly
2	410-0219	1	Dolly, Complete - 2 Wheel	14	850-0050	8	Washer, Lock (3/8") - Oil Base Mounting
3	410-0216	1	Base and Handle, Dolly - Left Hand	15	860-0017	8	Nut, Hex (3/8-16) - Oil Base Mounting
4	410-0216	1	Base and Handle, Dolly - Right Hand	16	526-0030	4	Washer, Flat - Oil Base Mounting (13/32 ID x 7/8 OD x 1/8" Thk)
5	402-0040	2	Cushion, Rubber	17	862-0015	2	Nut, Hex (5/16-18) - Cushion Mounting
8	403-0205	2	Grip, Handle - Rubber	18	850-0045	2	Washer, Lock (5/16") - Cushion Mounting
9	410-0222	1	Axle, Dolly	19	526-0123	4	Washer, Flat - Dolly Wheel Mounting (25/64 ID x 1-1/4 OD x 3/64" Thk)
10	410-0223	2	Wheel and Tire - 10 x 2.50"				
11	526-0112	4	Washer, Flat - Wheel Mounting (11/16 ID x 1-3/8 OD x 7/64" Thk)				

**Optional
Gas and Gas-Gasoline Fuel System
(Not Illustrated)**

REF NO.	PART NO.	QTY USED	PART DESCRIPTION	REF NO.	PART NO.	QTY USED	PART DESCRIPTION
148-0336		1	Kit, Conversion - Gas (Includes Garretson Regulator, Carburetor and Associated Parts)	505-0017		1	Bushing, Reducer (3/8 x 1/4) Use with Garretson Regulator
148-0428		1	*Regulator, Gas Pressure - (Ensign Manufacturing - Model "F1")	505-0021		1	Bushing, Reducer (1 x 3/4) Use with Ensign Regulator
148-0300		1	Repair Kit, Gas Regulator - Ensign Model "F"	505-0099		1	Nipple (1/4 x 7/8") - Use with Garretson Regulator
148-0522		1	Repair Kit, Gas Regulator - Ensign Model "F1"	505-0038		1	Nipple, Half (1/4 x 1-1/2") Use with Garretson Regulator
148-0311		1	*Regulator, Gas Pressure - (Garretson Manufacturing)	505-0057		1	Plug, Pipe (1/8)
148-0390		1	Repair Kit, Gas Regulator - Garretson	502-0055		1	Elbow, 90" - Gas Inlet - Use with Gas-Gasoline Carburetor
501-0025		1	Hose, Regulator to Carburetor (Use with Ensign Regulator)	505-0061		1	Nipple (1/8 x 2") - Gas Inlet - Use with Gas-Gasoline Carburetor
503-0315		1	Hose, Regulator to Carburetor (Use with Garretson Regulator)	148-0178		1	Adjusting Assembly, Gas - Use with Gas-Gasoline Carburetor
503-0032		2	Clamp, Hose (Use with Garretson Regulator Only)	153-0319		1	Pin Assembly, Choke Lock - Use with Gas-Gasoline Carburetor
148-0107		1	Vent, Atmospheric (Use with Garretson Regulator Only)				
149-0943		1	Line, Fuel - Pump to Carburetor - Use with Gas-Gasoline Carburetor				

* - Manufacturer's name appears on Regulator. Order Parts Accordingly.

**Optional
Oil Base Heater
(Not Illustrated)**

REF NO.	PART NO.	QTY USED	PART DESCRIPTION	REF NO.	PART NO.	QTY USED	PART DESCRIPTION
333-0100		1	Heater, Base - Oil	335-0058		1	Cable, Heater Element to Thermostat
309-0029		1	Thermostat, Heater				
333-0012		1	Box, Mounting - Thermostat	335-0057		1	Cable, Connection - Heater
333-0013		1	Cover, Box - Thermostat Mounting	508-0005		3	Grommet - For 9/16" Hole
				503-0019		1	Clamp, Guard - Heater Element
133-0003		1	Guard, Terminal - Heater	520-0446		2	Stud, Mounting - Thermostat

**Optional
Reservoir (Fuel) Tank
(Not Illustrated)**

REF NO.	PART NO.	QTY USED	PART DESCRIPTION	REF NO.	PART NO.	QTY USED	PART DESCRIPTION
159-0294		1	Tank, Reservoir (Day) - 1 Quart	501-0003		1	Line, Fuel - Flexible (9")
159-0041		1	Cap, Vent - Reservoir Tank	504-0007		1	Valve, Shutoff - Tank Outlet
159-0556		1	Band, Mounting - Reservoir Tank	505-0057		1	Plug (1/8), Pipe - Tank Drain
				502-0116		1	Connector (Compression Type) With Nut and Sleeve - For 5/16" OD Vent Line (Top)
502-0024		1	Elbow, Male (Compression Type) Tank Vent Line	159-0345		1	Tubing, Copper - Vent Line (12 ft. of 5/16" OD)
159-0557		1	Support, Mounting - Reservoir Tank	502-0043		1	Elbow, Male - Inverted (For 3/8" OD Fuel Return Line)
415-0055		1	Bracket, Mounting - Vent Cap	502-0020		1	Elbow, Street (1/8" Pipe) - Tank Inlet
501-0005		1	Line, Fuel - Flexible (18-1/2")				

Numerical Index

Part No.	Page	Part No.	Page	Part No.	Page	Part No.	Page
98-1100	27	110-0902	5	120-0415	5	143-0112	15
101-0115	5	110-0904	5	120-0651	3	143-0113	15
101-0181	5	110-1000	5	120-0666	3	143-0114	15
101-0181-10	5	110-1000-02	5	123-0191	5	143-0115	15
101-0181-20	5	110-1000-05	5	123-0486	5	143-0117	15
101-0181-30	5	110-1000-10	5	123-0517	5	143-0118	15
101-0259	5	110-1595	5	123-0519	5	143-0119	15
101-0367	5	110-1622	5	123-0996	5	143-0212	15
101-0396	5	110-1782	5	133-0003	30	143-0341	15
101-0398	5	110-1783	5	134-0565	21	145-0110	11
101-0450	5	110-1791	5	134-0584	21	145-0111	11
101-0450-02	5	110-3185	5	134-0586	21	145-0469	11
101-0450-10	5	110-3186	5	134-0590	21	146-0091	11
101-0450-20	5	112-0003	7	134-0591	7	146-0091	17
101-0450-30	5	112-0069	7	134-0618	21	146-0094	11
102-0100	3	112-0136	7	134-0655	21	146-0094	17
102-0107	3	112-0136-05	7	134-0656	21	146-0102	17
102-0362	3	112-0136-10	7	134-0658	21	146-0103	17
103-0011	9	112-0136-20	7	134-0660	21	146-0104	17
103-0640	9	112-0136-30	7	134-0661	21	146-0105	17
104-0032	7	112-0136-40	7	134-0707	21	146-0106	17
104-0043	7	113-0087	7	134-0815	21	146-0107	17
104-0170	7	113-0087-05	7	134-0816	21	146-0108	17
104-0575	5	113-0087-10	7	134-1649	7	146-0109	17
104-0615	7	113-0087-20	7	134-2956	21	146-0110	17
104-0691	7	113-0087-30	7	134-3041	21	146-0111	17
104-1298	7	113-0087-40	7	140-0397	11	146-0112	17
104-1342	7	113-0176	7	140-0408	11	146-0113	17
105-0030	7	113-0176-05	7	140-0441	11	146-0114	17
105-0141	7	113-0176-10	7	140-0443	11	146-0115	17
105-0332	7	113-0176-20	7	140-0469	11	146-0116	17
105-0541	7	113-0176-30	7	140-0493	11	146-0117	17
105-0551	7	113-0176-40	7	140-0587	11	146-0118	17
110-0300	25	114-0022	5	141-0078	13	146-0119	17
110-0445	5	114-0022	23	143-0015	15	146-0120	17
110-0539	5	114-0059	7	143-0030	15	146-0122	17
110-0639	5	114-0098	7	143-0036	15	146-0123	17
110-0667	5	114-0098-10	7	143-0077	15	146-0124	17
110-0872	5	114-0098-20	7	143-0078	15	146-0127	11
110-0872-02	5	114-0098-30	7	143-0080	15	146-0127	15
110-0872-05	5	114-0108	7	143-0081	15	146-0128	11
110-0872-10	5	114-0171	5	143-0097	15	146-0128	15
110-0872-25	5	114-0254	7	143-0098	15	146-0129	11
110-0879	5	114-0254-10	7	143-0099	15	146-0129	15
110-0880	5	114-0254-20	7	143-0100	15	146-0130	11
110-0881	5	114-0254-30	7	143-0101	15	146-0130	15
110-0883	5	115-0006	5	143-0105	15	146-0131	11
110-0891	5	120-0140	3	143-0109	15	146-0131	15
110-0892	5	120-0161	3	143-0110	15	146-0145	17
110-0893	5	120-0398	3	143-0111	15	146-0186	17

Numerical Index

Part No.	Page	Part No.	Page	Part No.	Page	Part No.	Page
146-0209	17	150-0078	7	160-0515	19	192-0385	27
146-0261	17	150-0096	21	160-0650	7	201-1303	23
146-0296	11	150-0098	21	160-0722	19	201-1304	23
146-0296	17	150-0136	9	160-0749	19	201-1305	23
146-0297	11	150-0610	9	160-0836	19	201-1306	23
146-0297	17	150-0611	21	160-0930	19	201-1307	23
146-0299	11	150-0620	9	160-0975	7	201-1308	23
146-0299	17	150-0732	21	160-0976	19	203-0009	23
148-0010	17	150-0786	21	160-1002	19	204-0009	23
148-0017	15	150-0974	21	160-1027	19	204-0010	23
148-0038	15	150-1257	7	160-1028	19	205-0053	23
148-0107	30	150-1519	7	160-1143	19	210-0243	23
148-0131	17	150-1520	7	160-1152	19	211-0097	23
148-0135	15	150-1695	7	166-0049	19	211-0098	23
148-0178	17	153-0017	11	166-0067	19	211-0099	23
148-0178	30	153-0058	11	166-0278	19	212-0294	23
148-0268	15	153-0113	11	166-0433	19	212-0295	23
148-0300	30	153-0196	11	167-0064	19	212-0296	23
148-0311	30	153-0319	30	167-0139	19	212-1003	23
148-0336	30	153-0420	11	167-0188	3	212-1004	23
148-0390	30	155-0127	11	167-0188	19	212-1105	23
148-0428	30	155-0484	11	167-0237	19	212-1214	23
148-0522	30	159-0020	11	167-0241	19	214-0030	23
149-0003	11	159-0041	30	167-1296	19	214-0032	23
149-0003	13	159-0294	30	167-1486	19	214-0050	23
149-0045	11	159-0345	30	167-1487	19	214-0061	23
149-0079	11	159-0530	11	168-0065	27	221-0086	23
149-0095	13	159-0531	11	192-0023	7	222-1633	23
149-0096	13	159-0536	11	192-0039	27	222-1638	23
149-0136	13	159-0537	11	192-0043	27	231-1006	23
149-0149	11	159-0556	30	192-0044	27	232-0029	23
149-0150	11	159-0557	30	192-0045	27	232-0596	23
149-0202	11	160-0002	19	192-0152	27	232-1256	23
149-0404	13	160-0043	19	192-0153	27	234-0002	23
149-0526	13	160-0075	19	192-0163	27	234-0005	23
149-0539	13	160-0144	25	192-0165	27	301-0974	25
149-0551	13	160-0150	19	192-0167	27	301-1160	25
149-0582	13	160-0202	7	192-0168	27	301-1198	25
149-0614	11	160-0222	7	192-0170	27	301-1244	25
149-0672	13	160-0257	19	192-0172	27	301-1271	25
149-0675	13	160-0262	19	192-0180	27	301-1276	25
149-0710	13	160-0281	19	192-0186	27	301-1630	25
149-0858	13	160-0282	19	192-0215	27	301-3432	25
149-0943	30	160-0349	19	192-0218	27	302-1360	25
149-1112	11	160-0428	19	192-0272	7	302-1363	25
149-1784	11	160-0497	19	192-0294	27	304-0014	25
149-1784	13	160-0498	19	192-0295	27	304-0015	23
149-1861	11	160-0500	19	192-0308	7	304-0042	23
150-0075	7	160-0510	19	192-0309	27	304-0060	25
150-0077	7	160-0513	19	192-0323	27	304-0175	25

Numerical Index

Part No.	Page	Part No.	Page	Part No.	Page	Part No.	Page
304-0251	25	333-0013	30	504-0007	30	518-0006	21
304-0292	25	333-0100	30	505-0003	11	518-0014	7
304-0323	23	333-0135	23	505-0017	30	518-0014	23
304-0344	25	333-0136	23	505-0021	30	518-0049	19
304-0377	23	333-0137	23	505-0028	9	518-0074	21
304-0438	23	334-0028	19	505-0038	30	518-0129	9
305-0001	25	335-0057	30	505-0057	11	518-0129	13
307-0180	25	335-0058	30	505-0057	30	520-0114	5
307-0253	25	337-0036	29	505-0061	30	520-0329	23
307-0312	25	358-0019	25	505-0076	9	520-0337	23
307-0454	25	363-0059	25	505-0087	11	520-0350	23
307-0495	25	402-0040	29	505-0089	11	520-0363	11
307-0829	25	402-0146	9	505-0099	30	520-0446	30
307-1046	25	402-0147	9	505-0110	3	520-0527	23
308-0002	25	402-0148	9	508-0001	25	520-0532	5
308-0090	25	402-0149	9	508-0002	25	520-0538	11
308-0154	25	403-0205	29	508-0005	30	520-0632	11
309-0002	21	403-0376	29	508-0009	25	520-0746	5
309-0029	30	405-2244	27	508-0015	25	525-0137	27
309-0085	21	410-0216	29	508-0016	25	525-0305	27
309-0237	3	410-0219	29	508-0031	21	526-0014	27
309-0255	5	410-0222	29	508-0098	25	526-0015	27
312-0017	23	410-0223	29	509-0008	9	526-0016	21
312-0017	25	412-0021	27	509-0040	9	526-0017	7
312-0027	23	415-0055	30	509-0041	5	526-0030	29
312-0057	25	415-0124	11	509-0065	13	526-0032	23
312-0058	19	415-0126	11	509-0090	5	526-0048	25
312-0058	23	415-0313	11	509-0135	11	526-0063	5
312-0058	25	416-0077	25	510-0008	9	526-0063	11
312-0069	19	416-0133	25	510-0013	9	526-0063	13
312-0100	19	501-0003	30	510-0014	9	526-0066	3
313-0018	19	501-0005	30	510-0015	7	526-0076	9
320-0158	25	501-0007	11	510-0047	23	526-0102	21
323-0184	25	501-0025	30	515-0001	7	526-0112	29
323-0213	25	502-0002	11	515-0006	23	526-0122	5
330-0006	25	502-0003	11	515-0122	23	526-0123	27
330-0028	25	502-0020	11	515-0227	7	526-0123	29
330-0042	25	502-0020	30	516-0042	29	526-0130	27
331-0053	11	502-0024	30	516-0072	5	526-0158	27
332-0142	25	502-0043	30	516-0110	27	526-0168	27
332-0231	25	502-0046	13	516-0113	13	526-0169	27
332-0527	13	502-0055	17	516-0120	15	526-0180	27
332-0529	19	502-0055	30	516-0130	9	800-0004	23
332-0537	25	502-0082	11	516-0132	27	800-0007	3
332-0539	25	502-0082	17	516-0138	27	800-0007	27
332-0540	25	502-0116	30	516-0141	9	800-0014	5
332-0566	25	503-0019	30	517-0021	21	800-0032	9
332-0592	25	503-0032	30	517-0025	27	800-0034	9
332-1695	25	503-0315	30	517-0048	5	800-0050	23
333-0012	30	503-0736	11	517-0062	15	800-0056	3

Numerical Index

Part No.	Page	Part No.	Page	Part No.	Page	Part No.	Page
800-0058	29	860-0017	29				
800-0540	7	862-0001	5				
800-1004	27	862-0003	27				
801-0050	3	862-0004	23				
802-0034	19	862-0015	9				
806-0009	11	862-0015	23				
809-0043	23	862-0015	29				
810-0072	25	868-0001	11				
812-0014	15	870-0053	9				
812-0077	19	870-0053	11				
812-0082	11	870-0053	21				
812-0148	13	870-0053	23				
812-0150	21	870-0110	27				
812-0155	19	870-0131	21				
813-0098	23	870-0188	21				
815-0110	23	870-0196	25				
815-0137	27	871-0007	25				
815-0147	13						
815-0148	13						
815-0190	11						
815-0421	21						
816-0114	9						
821-0008	21						
821-0018	21						
850-0025	11						
850-0030	9						
850-0030	11						
850-0030	23						
850-0040	3						
850-0040	11						
850-0040	19						
850-0040	21						
850-0045	5						
850-0045	9						
850-0045	23						
850-0045	29						
850-0050	3						
850-0050	23						
850-0050	27						
850-0050	29						
850-0055	7						
850-0055	23						
850-1040	27						
853-0005	25						
853-0013	11						
853-0013	23						
854-0003	15						
854-0010	11						
854-1007	23						